

Respiratory Protection

Honeywell



MANUFACTURERS OF HIGH PERFORMANCE RESPIRATORS
FOR TODAY'S DEMANDING WORK ENVIRONMENTS.

Product Catalogue



Disclaimer: Not all items that appear in this catalogue are available ex stock. Some items may need to be manufactured to your specifications upon placement of order. Please refer to your Honeywell price list for pricing and availability. Products are subject to change without notice.

Contents



Disposable Respirators

Page 6



Reusable Respirators

Page 18



SCBA

Page 42

Protecting people at work

Honeywell are a leading manufacturer of respiratory protection products providing the very best solutions for a wide range of hazards and industry applications.

Global leaders in respiratory protection

Honeywell lead the way in the design and manufacture of respiratory protection products

Important safety considerations

Harmful substances may be in the form of dusts, mists, fumes, gases, vapours, or combinations. Many important factors need to be considered before choosing the most suitable respirator.

- ▶ Ensure there is sufficient oxygen present. Please refer to standards or regulations for concentration level details.
- ▶ Determine the physical and chemical properties of the contaminant, which can be ascertained from the most current Material Safety Data Sheet (MSDS) for the substance concerned, or from other appropriate reference material.
- ▶ Determine the concentration of the contaminant in your workplace environment. Lower capacity respirators are only designed to work in concentrations up to a certain level and you may need to use a different respirator depending on the concentration present.
- ▶ Assess the working conditions and respirator protection factor. P1 respirators are for protection against mechanically generated particulates. P2 respirators are for protection against mechanically and thermally-generated particulates. Class P3 respirators are intended for use against all particulates including highly toxic materials.
- ▶ Other filter types or types of respirators are to be considered for protection from gases and vapours. The type of contaminant and concentration will determine which filter/respirator is required. You need to know the workplace exposure standard for the contaminant, e.g. 'Worksafe Australia Exposure Standards for atmospheric contaminants in the occupational environment' or 'OSH Workplace Exposure Standards and Biological Exposure Indices for New Zealand'.
- ▶ Select the right respirator / filter for the task, and ensure a proper face fit. Where concentrations permit, disposable respirators are a good solution and are more likely to be worn because of their greater comfort. If you use replaceable filter respirators, you must implement a respirator maintenance program in accordance with AS/NZS 1716:2012.
- ▶ Conduct training in the need for and correct use of respirators. Product training and motivation of users of personal protective equipment is vital to ensure the user's complete understanding of a respiratory protection program.

A person wearing a white full-body protective suit, a white hood, and large clear safety goggles. They are wearing a white respirator with a yellow filter. They are holding a black respirator component, possibly a filter or a part of the device, with both hands. The background is a plain, light-colored wall.

Honeywell

Worker comfort and ease of use are our priority. That's why our products are designed to be worn day-in, day-out.

Honeywell respiratory solutions include disposable respirators, reusable respirators and SCBA products all manufactured to protect workers in a variety of industries

including: oil and gas, construction, mining, disaster and emergency services, fire fighting, chemicals and paint, science, and health.

For further information, telephone Honeywell Customer Service on 1300 139 166 or visit www.honeywellsafety.com

Making the best choice

When selecting a respirator, consider the chemical and physical properties of the contaminant, the toxicity and concentration of the hazardous material, and the amount of oxygen present.

Choosing the right respirator involves four main steps:

- 1**
 - Oxygen Deficiency ▶ SCBA (PP)
 - Fire Fighting ▶ SCBA (PP)
 - Toxic Contaminant ▶ Go to Step 2
- 2**
 - IDLH ▶ SCBA (PP) or Airline (PP) with aux SCBA
 - Not IDLH ▶ Go to step 3
- 3**
 - Air from outside environment ▶ Air-Line Respirator or SCBA
 - Air from environment ▶ Go to step 4
- 4**
 - Gases & Vapours ▶ Cartridge Respirator or PAPR or SAR (depending on contaminant or concentration level)
 - Gases/Vapours & Particulates ▶ Cartridge Respirator with Particulate Filter or PAPR or SAR (depending on contaminant or concentration level)
 - Particulates ▶ Disposable Respirator or Dust, Fume or Mist Filter Respirator or PAPR

Key Terms

SCBA	Self Contained Breathing Apparatus
PP	Positive Pressure
IDLH	Immediately Dangerous to Life and Health
PAPR	Powered Air Purifying Respirator

Dust	Mechanically generated solid particle suspended in air. (flour grain, sanding, quarrying etc)
Mist	Mechanically generated liquid particle suspended in air

Fume	Thermally generated solid particle which vaporises then solidifies and drops down. i.e. welding, furnacing etc.
Gas/Vapour	Neither solid nor liquid at room temperature

Honeywell are committed to quality and safety.



Each and every product is subject to a strict testing and quality assurance program in accordance with the guidelines of the Australian and New Zealand Standard AS/NZS 1716:2012.

Honeywell respiratory protective devices meet the stringent requirements of this standard.

Please refer to individual product approval details throughout the catalogue.

For selection, use and maintenance of respiratory devices refer to AS/NZS 1715:2009. This standard sets out principles of respiratory protection and makes recommendations for the selection, use and maintenance of respirators.



Disposable Respirators

Honeywell disposable respirators are comfortable and easy to use, encouraging 100% wear time and the best possible workplace safety

P1 Disposable Respirators

- ▶ 2100 Nuisance Dust Mask
- ▶ 5185 P1 Cup Shape Respirator
- ▶ 5110 P1 Premium Cup Shape Respirator
- ▶ 5111 P1 Premium Cup Shape Respirator with Exhalation Valve
- ▶ 4110 P1 Premium Flat Fold Respirator
- ▶ 4111 P1 Premium Flat Fold Respirator with Exhalation Valve
- ▶ 5140 P1 Premium Cup Shape Respirator Nuisance OV
- ▶ 5141 P1 Premium Cup Shape Respirator Nuisance OV with Exhalation Valve



Page 10

P2 Disposable Respirators

- ▶ 5210 P2 Premium Cup Shape Respirator
- ▶ 5211 P2 Premium Cup Shape Respirator with Exhalation Valve
- ▶ 4210 P2 Premium Flat Fold Respirator
- ▶ 4211 P2 Premium Flat Fold Respirator with Exhalation Valve
- ▶ 5251 P2 Premium Cup Shape Respirator Nuisance OV with Exhalation Valve
- ▶ 5261 P2 Premium Cup Shape Respirator Nuisance AG with Exhalation Valve



Page 14

Superone Disposable Respirators

- ▶ W3203 Superone Economical P1 Cup Shape Respirator
- ▶ W3204 Superone Economical P1 Cup Shape Respirator with Exhalation Valve
- ▶ W3205 Superone Economical P2 Cup Shape Respirator
- ▶ W3205 Superone Economical P2 Cup Shape Respirator with Exhalation Valve



Page 16

Disposable respirators are designed to be discarded after use. There are no spare parts and no maintenance is required.

Honeywell disposable respirators protect the wearer against solid, water based and liquid aerosols. There are two classes of particulate filters suitable for protection against finely divided solid or liquid particles, or both.

(P1) For use against mechanically generated particulates

(P2) For use against mechanically and thermally generated particulates

Never use a disposable respirator when:

- ▶ They are modified or damaged
- ▶ Contaminant concentration is Immediately Dangerous to Life and Health (IDLH)
- ▶ Contaminant is over 10 x TLV (Threshold Limit Value)
- ▶ Oxygen concentration is less than 19.5%
- ▶ Spray painting
- ▶ Fire fighting

Features of the 4000 & 5000 Series

The Honeywell 4000 and 5000 Series include innovative features and design, providing great protection at a competitive price.



1 Fully featured design

Increased inner volume provides a non-oppressive feeling on the face, and ease of movement for speech. The respirator can be easily molded to suit each individual's facial contours while ensuring a maximum respirator service life thanks to hypoallergenic and humidity resistant properties.

2 Exhalation valve

An innovative design exclusive to Honeywell provides minimal breathing resistance while the valve membrane is protected from damage. Faster evacuation of moist exhaled air means easier breathing and comfort, encouraging longer wear time especially in hot or humid workplaces.

3 Colour coding for quick identification

The pre-formed colour coded nose bridge gives at-a-glance protection identification.

- P1 respirator
- P2 respirator
- Nuisance level organic vapours
- Nuisance level acid gases

4 Ultra-soft seal

The triple layer Willtech™ Boomerang and Polo seals provide maximum protection and comfort by resting softly against the wearers skin to improve the air seal around the face and/or nose while absorbing perspiration.

Honeywell disposable respirators provide a flexible strip nose seal with Willtech™ options providing additional protection and comfort.

Strip Nose Seal – Standard protection

Boomerang Nose Seal – Standard protection with added wearer comfort

Polo Face Seal – High level protection with increased wearer comfort

5 Quality materials protect you and the environment

Flame retardant outer shell for greater safety. Masks with charcoal layers provide relief from nuisance levels of organic vapours and acid gases. The respirator strap staples do not penetrate the filter medium, ensuring the integrity of the filter. Latex (a common allergenic), PVC and Silicone are not used in respirator manufacture.

Versatile flat-fold style

Individually wrapped, flat-fold styles are available (4000 Series), for convenient and hygienic storage in a pocket. A fold-and-hold mechanism prevents contamination between uses and offers easy storage. The integrated chin piece design improves fit and allows better speaking movement. The sliding latex free elastic ring head band gives greater adjustment and is highly resistant to breakage. Flat-fold disposable respirators have no staples, making them ideal for use in the food industry.

Dolomite tested

All Honeywell 4000 and 5000 series respirators have undergone optional dolomite testing, clearly demonstrating resistance to clogging. This ensures better breathing comfort and less worker fatigue.

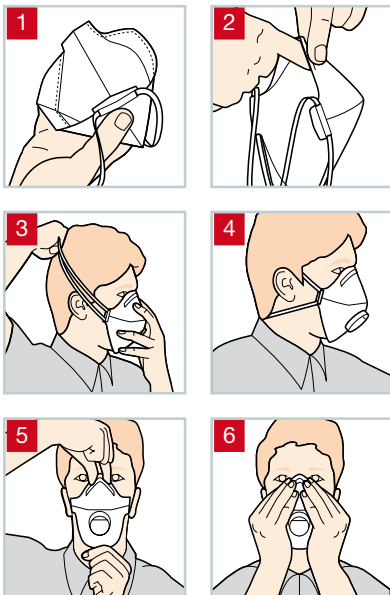
Honeywell

Fitting instructions & Fit testing

To provide optimum protection against air hazards your respirator must be fitted correctly. Follow the instructions below to achieve the best result.

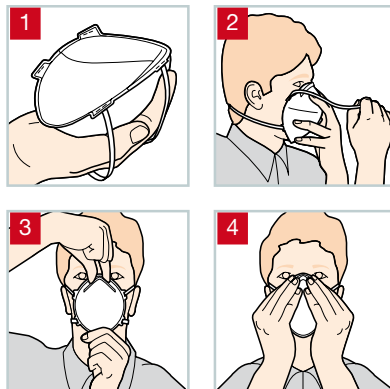
Fitting Folding Respirators

- 1 Open Flat-fold Respirator by pushing slightly on both sides.
- 2 Pre-form the nose-bridge.
- 3 Place the respirator under the chin with chin-flap fully open. Holding the respirator against the face, place the lower head-strap around the neck below the ears and the top head-strap above the ears.
- 4 Correctly donned respirator.
- 5 Mold nose area to the shape of the face by pinching the nose-bridge from the top to the bottom. Make sure that the chin-flap is open and secure around the chin area.
- 6 Fit check the face seal as follows: Place both hands over the respirator. If the respirator is not fitted with an exhalation valve, exhale sharply; if the respirator is fitted with an exhalation valve, inhale sharply. If leaks around the edge are detected, re-adjust the head-straps and/or the nose-piece. Repeat the procedure until a satisfactory face fit has been achieved. Important: If you feel that the headbands are too loose, you can increase the tension by tying a small knot in the headband.



Fitting Cup Respirators

- 1 Hold respirator cup in your hand, allowing head-straps to hang freely.
- 2 Hold respirator under the chin with the nose-piece facing outwards. Place respirator on your face ensuring that the lower part of the respirator is positioned under your chin. Pull the lower head-strap over your head and place it around the neck below the ears. Holding the respirator against the face with one hand, pull the top head-strap over your head and position it above the ears, around the crown of the head.
- 3 Mold the nose area to face shape, running the finger tips of both hands from the top of the nose-piece down both sides while pressing inward. Always use both hands.
- 4 Fit check the face seal as follows: Place both hands over the respirator. If the respirator is not fitted with an exhalation valve, exhale sharply; if the respirator is fitted with an exhalation valve, inhale sharply. If leaks around the edge are detected, re-adjust the head-straps and/or the nose-piece. Repeat until a satisfactory face fit has been achieved.



Fit Testing

There are two types of facial fit tests – Qualitative and Quantitative.

Qualitative fit testing is a simple pass/fail test based upon the user's subjective assessment of the leakage, via the face seal region, of a test agent.

Quantitative fit testing uses equipment (usually a Portacount machine) to measure the efficiency of a respirator in preventing materials in the atmosphere from entering a users breathing zone.

AS/NZS 1715 : 2009 states that a Program Administrator (Person who is made responsible for a companies respiratory protection program) must ensure that a suitable fit test is carried out for all respirator users.

Fit testing should be conducted annually or whenever there is a change in the wearers facial characteristics (such as the wearer was to grow facial hair).

The Bitrex Fit Test Kit provides a fit testing option as per section 8.5.3.2 of AS/NZS 1715:2009 (Saccharin Mist test), and is suitable for testing both disposable and reusable respirators fitted with a particulate filter.

If testing a gas or vapour filter the filter should also be fitted with a particulate filter to prevent the wearer inhaling any mist during testing.

1010051 BITREX FIT TEST KIT. INCLUDES HOOD, PUMPS AND TEST SOLUTIONS

1010052 BITREX SENSITIVITY SOLUTION, 6 PACK

1010053 BITREX FIT TEST SOLUTION, 6 PACK



P1 Disposable Respirators

Protecting against mechanically generated dusts and mists.
Approved for 10 times the exposure standard of dusts
produced by grinding and drilling.



2100 Non-industrial Nuisance Dust Mask

A lightweight hygiene mask which provides relief from large dust particles in low concentrations

- ▶ For sweeping, dusting, and non-industrial applications
- ▶ Nose bridge is easily molded to provide correct fit

2100 STANDARD SIZE



5185 P1 Cup-shape Dust Respirator

Economical cup-shape P1 protection respirator suggested for use with particulate aerosols free of oil

- ▶ Yellow nose bridge indicating P1 protection
- ▶ Nose bridge is easily molded to provide correct fit
- ▶ Strip nose-seal
- ▶ Large inner volume provides ease of movement and optimised breathing comfort
- ▶ Elastic straps are stapled outside the filter media to ensure the integrity of the filter media is maintained
- ▶ Silicone, PVC and latex free
- ▶ For grinding, sanding, sweeping, woodworking and dusty operations

1007691 STANDARD SIZE



5110 P1 Premium Cup-shape Dust Respirator

Premium cup-shape P1 protection respirator suggested for use with particulate aerosols free of oil

- ▶ Willtech™ boomerang nose-seal, providing maximum protection and comfort
- ▶ Yellow nose bridge indicating P1 protection
- ▶ Nose bridge is easily molded to provide correct fit
- ▶ Large inner volume provides ease of movement and optimised breathing comfort
- ▶ Elastic straps are stapled outside the filter media to ensure the integrity of the filter media is maintained
- ▶ Silicone, PVC and latex free
- ▶ For medical, grinding, polishing, sanding, woodworking, sweeping and dusty operations

1007693 STANDARD SIZE

Protection against dusts and mists including*

- ▶ Calcium Carbonate
- ▶ Cement Dust
- ▶ Sulphur
- ▶ Glass-Wool
- ▶ Coal
- ▶ Clay
- ▶ Kaolin
- ▶ Cellulose
- ▶ Cotton Dust
- ▶ Flour
- ▶ Ferrous Metals

* This is not a full contaminants list. For a full list, contact Honeywell customer service for a copy of the respiratory contaminant guide.



5111 P1 Premium Cup-shape Dust Respirator with Exhalation Valve

Full feature premium cup-shape P1 protection respirator suggested for use with particulate aerosols free of oil

- ▶ High quality exhalation valve facilitates effortless breathing during periods of extended use and in hot and humid work environments
- ▶ Willtech™ boomerang nose-seal, providing maximum protection and comfort
- ▶ Yellow nose bridge indicating P1 protection
- ▶ Nose bridge is easily molded to provide correct fit
- ▶ Large inner volume provides ease of movement and optimised breathing comfort
- ▶ Elastic straps are stapled outside the filter media to ensure the integrity of the filter media is maintained
- ▶ Silicone, PVC and latex free
- ▶ For grinding, sanding, sweeping, dusty and hot operations

1007696 STANDARD SIZE



P1 Disposable Respirators

Protecting against mechanically generated dusts and mists.
Approved for 10 times the exposure standard of dusts produced by grinding and drilling.



4110 P1 Flat-fold Style Dust Respirator

Individually packaged P1 protection
Flat-fold respirator for convenient
pocket storage

- ▶ Willtech™ boomerang nose-seal, providing maximum protection and comfort
- ▶ Yellow nose bridge indicating P1 protection
- ▶ Nose bridge is easily molded to provide correct fit
- ▶ Sliding elastic ring headband eliminates staples
- ▶ Large inner volume provides ease of movement and optimised breathing comfort
- ▶ Silicone, PVC and latex free
- ▶ Individually wrapped
- ▶ For medical, grinding, polishing, food handling, sanding, sweeping and dusty operations

1007716 STANDARD SIZE



4111 Flat-fold Style Dust Respirator with Exhalation Valve

Individually packaged P1 Flat-fold
respirator with exhalation valve for
convenient pocket storage

- ▶ High quality exhalation valve facilitates effortless breathing during periods of extended use and in hot and humid work environments
- ▶ Willtech™ boomerang nose-seal, providing maximum protection and comfort
- ▶ Yellow nose bridge indicating P1 protection
- ▶ Nose bridge is easily molded to provide correct fit
- ▶ Sliding elastic ring headband eliminates staples
- ▶ Large inner volume provides ease of movement and optimised breathing comfort
- ▶ Silicone, PVC and latex free
- ▶ Individually wrapped
- ▶ For medical, grinding, polishing, food handling, sanding, sweeping and dusty/hot operations

1007717 STANDARD SIZE



5140 P1 Premium Cup-shape Nuisance Odour Respirator

Premium cup-shape P1 protection
respirator with charcoal layer filter for
nuisance levels of organic vapour
odour relief

- ▶ Willtech™ boomerang nose-seal, providing maximum protection and comfort
- ▶ Brown nose bridge indicating relief from nuisance levels of organic vapours
- ▶ Nose bridge is easily molded to provide correct fit
- ▶ Large inner volume provides ease of movement and optimised breathing comfort
- ▶ Elastics stapled to the outside of the filtering area ensure filter media is not damaged
- ▶ Silicone, PVC and latex free
- ▶ Size XL available
- ▶ For grinding, sanding, sweeping and dusty operations

1007705 STANDARD SIZE

Protection against dusts and mists including*

- ▶ Calcium Carbonate
- ▶ Cement Dust
- ▶ Sulphur
- ▶ Glass-Wool
- ▶ Coal
- ▶ Clay
- ▶ Kaolin
- ▶ Cellulose
- ▶ Cotton Dust
- ▶ Flour
- ▶ Ferrous Metals

* This is not a full contaminants list. For a full list, contact Honeywell customer service for a copy of the respiratory contaminant guide.



5141 P1 Premium Cup-shape Nuisance Odour Respirator with Exhalation Valve

Premium cup-shape P1 protection respirator with exhalation valve and charcoal filter for organic vapour nuisance odour relief

- ▶ High quality exhalation valve facilitates effortless breathing during periods of extended use and in hot and humid work environments
- ▶ Willtech™ boomerang nose-seal, providing maximum protection and comfort
- ▶ Brown nose bridge indicating relief from nuisance levels of organic vapours
- ▶ Nose bridge is easily molded to provide correct fit
- ▶ Large inner volume provides ease of movement and optimised breathing comfort
- ▶ Elastic straps are stapled outside the filter media to ensure the integrity of the filter media is maintained
- ▶ Silicone, PVC and latex free
- ▶ For glass etching, grinding, sanding, dusty/hot operations

1007708 STANDARD SIZE



P2 Disposable Respirators

For protection against mechanically and thermally generated dusts, mists and fumes. Approved for 10 times the exposure standard of dusts produced by grinding, drilling and certain applications of brazing, welding etc.



5210 P2 Premium Cup-shape Respirator

Economical cup-shape P2 protection respirator suggested for use with particulate aerosols free of oil

- ▶ Willtech™ boomerang nose-seal, providing maximum protection and comfort
- ▶ Green nose bridge indicating P2 protection
- ▶ Nose bridge is easily molded to provide correct fit
- ▶ Large inner volume provides ease of movement and optimised breathing comfort
- ▶ Elastic straps are stapled outside the filter media to ensure the integrity of the filter media is maintained
- ▶ Silicone, PVC and latex free
- ▶ For glass etching, welding, soldering, brazing, torch cutting, metal pouring, grinding, sanding, sweeping and dusty operations

1007699 STANDARD SIZE



5211 P2 Premium Cup-shape Respirator with Exhalation Valve

Full feature premium cup-shape P2 protection respirator suggested for use with particulate aerosols free of oil

- ▶ High quality exhalation valve facilitates effortless breathing during periods of extended use and in hot and humid work environments
- ▶ Willtech™ boomerang nose-seal, providing maximum protection and comfort
- ▶ Green nose bridge indicating P2 protection
- ▶ Nose bridge is easily molded to provide correct fit
- ▶ Large inner volume provides ease of movement and optimised breathing comfort
- ▶ Elastic straps are stapled outside the filter media to ensure the integrity of the filter media is maintained
- ▶ Silicone, PVC and latex free
- ▶ For glass etching, welding, soldering, brazing, torch cutting, metal pouring, grinding, sanding, sweeping, dusty and hot operations

1007702 STANDARD SIZE



4210 P2 Flat-fold Style Respirator with Willtech™ Seal

Individually packaged P2 protection flat-fold respirator for convenient pocket storage

- ▶ Willtech™ boomerang nose-seal, providing maximum protection and comfort
- ▶ Sliding elastic ring headband eliminates staples
- ▶ Green nose bridge indicating P2 protection
- ▶ Nose bridge is easily molded to provide correct fit
- ▶ Large inner volume provides ease of movement and optimised breathing comfort
- ▶ Silicone, PVC and latex free
- ▶ Individually wrapped
- ▶ For glass etching, welding, soldering, brazing, torch cutting, metal pouring, grinding, sanding, sweeping, dusty and hot operations

1007718 STANDARD SIZE

Protection against dusts, mists and fumes including*

- ▶ Calcium Carbonate
- ▶ Sodium Silicate
- ▶ Graphite
- ▶ Gypsum
- ▶ Cellulose
- ▶ Sulphur
- ▶ Cotton
- ▶ Cement

- ▶ Glass and Plastic Fibres
- ▶ Coal
- ▶ Quartz

- ▶ Copper
- ▶ Aluminium
- ▶ Barium
- ▶ Titanium

- ▶ Vanadium
- ▶ Chrome
- ▶ Manganese
- ▶ Molybdenum

* This is not a full contaminants list. For a full list, contact Honeywell customer service for a copy of the respiratory contaminant guide.



4211 P2 Flat-fold Style Respirator with Willtech™ Seal & Exhalation Valve

Individually packaged P2 protection flat-fold respirator with exhalation valve for convenient pocket storage

- ▶ High quality exhalation valve facilitates effortless breathing during periods of extended use and in hot and humid work environments
- ▶ Willtech™ boomerang nose-seal, providing maximum protection and comfort
- ▶ Sliding elastic ring headband eliminates staples
- ▶ Green nose bridge indicating P2 protection
- ▶ Nose bridge is easily molded to provide correct fit
- ▶ Large inner volume provides ease of movement and optimised breathing comfort
- ▶ Silicone, PVC and latex free
- ▶ Individually wrapped
- ▶ For glass etching, welding, soldering, brazing, torch cutting, metal pouring, grinding, sanding, sweeping, dusty and hot operations

1007720 STANDARD SIZE



5251 P2 Premium Cup-shape Respirator with Willtech™ Polo Seal & Exhalation Valve

Premium cup-shape P2 protection respirator with high protection polo seal and charcoal layer filter for organic vapour odour relief

- ▶ High quality exhalation valve facilitates effortless breathing during periods of extended use and in hot and humid work environments
- ▶ High level comfort and protection achieved through the Willtech™ polo seal
- ▶ Brown nose bridge indicates organic vapour relief in nuisance levels
- ▶ Nose bridge is easily molded to provide correct fit
- ▶ Adjustable headband with no staples
- ▶ Large inner volume provides ease of movement and optimised breathing comfort
- ▶ Silicone, PVC and latex free
- ▶ For glass etching, welding, soldering, brazing, torch cutting, metal pouring, grinding, sanding, sweeping, dusty and hot operations

1007711 STANDARD SIZE



5261 P2 Premium Cup-shape Respirator with Willtech™ Boomerang Seal & Exhalation Valve

Premium cup-shape P2 protection respirator with exhalation valve and charcoal layer filter for acid gas and odour relief

- ▶ High quality exhalation valve facilitates effortless breathing during periods of extended use and in hot and humid work environments
- ▶ Willtech™ boomerang nose-seal, providing maximum protection and comfort
- ▶ Blue nose bridge indicating relief from nuisance levels of acid gases and vapours
- ▶ Nose bridge is easily molded to provide correct fit
- ▶ Large inner volume provides ease of movement and optimised breathing comfort
- ▶ Elastic straps are stapled outside the filter media to ensure the integrity of the filter media is maintained
- ▶ Silicone, PVC and latex free
- ▶ For glass etching, welding, soldering, brazing, torch cutting, metal pouring, grinding, sanding, sweeping, dusty and hot operations

1007714 STANDARD SIZE

Superone P1 & P2 Disposable Respirators

Protecting against mechanically generated dusts P1 & P2, mists P1 & P2 and fumes P2. Providing high levels of filtration efficiency, fit and breathing comfort, Superone is the economical choice for effective single use respiratory protection.



W3203 Superone P1 Respirator

Economical P1 Cup-shape respirator suggested for use with particulate aerosols free of oil

- ▶ Preformed for excellent fit, comfort and protection
- ▶ Latex, silicone and PVC free
- ▶ No metal parts – perfect for underground mining
- ▶ Ultra-lightweight 7–12 grams
- ▶ Suitable for use with spectacles
- ▶ Welded straps provide increased comfort against wearers face
- ▶ Fits a wide variety of facial profiles
- ▶ Crush resistant
- ▶ Suitable for medical, sanding, grinding, woodworking, polishing and dusty environments

1015842 STANDARD SIZE



W3204 Superone P1 Respirator with Exhalation Valve

Economical P1 Cup-shape respirator suggested for use with particulate aerosols free of oil

- ▶ Valve provides increased comfort in hot and dusty work environments
- ▶ Preformed for excellent fit, comfort and protection
- ▶ Latex, silicone and PVC free
- ▶ No metal parts – perfect for underground mining
- ▶ Ultra-lightweight 7–12 grams
- ▶ Suitable for use with spectacles
- ▶ Welded straps provide increased comfort against wearer's face
- ▶ Fits a wide variety of facial profiles
- ▶ Crush resistant
- ▶ Suitable for medical, sanding, grinding, woodworking, polishing and hot dusty environments

1015843 STANDARD SIZE



W3205 Superone P2 Respirator

Economical P2 Cup-shape respirator suggested for use with particulate aerosols free of oil

- ▶ Preformed for excellent fit, comfort and protection
- ▶ Latex, silicone and PVC free
- ▶ No metal parts – perfect for underground mining
- ▶ Ultra-lightweight 7–12 grams
- ▶ Suitable for use with spectacles
- ▶ Welded straps provide increased comfort against wearers face
- ▶ Fits a wide variety of facial profiles
- ▶ Crush Resistant
- ▶ Suitable for welding, glass etching, soldering, brazing, torch cutting, metal pouring, sanding, grinding and dusty environments

1015844 STANDARD SIZE

Protection against dusts, mists and fumes including*

- ▶ Clay P1
- ▶ Kaolin P1
- ▶ Flour P1
- ▶ Glass-Wool P1
- ▶ Ferrous Metals P2
- ▶ Calcium Carbonate P1 & P2
- ▶ Cellulose P1 & P2
- ▶ Sulphur P1 & P2
- ▶ Cotton P1 & P2
- ▶ Cement P1 & P2
- ▶ Coal P1 & P2
- ▶ Sodium Silicate P2
- ▶ Graphite P2
- ▶ Gypsum P2
- ▶ Glass and Plastic Fibres P2
- ▶ Quartz P2
- ▶ Copper P2
- ▶ Aluminium P2
- ▶ Barium P2
- ▶ Titanium P2
- ▶ Vanadium P2
- ▶ Chrome P2
- ▶ Manganese P2
- ▶ Molybdenum P2

* This is not a full contaminants list. For a full list, contact Honeywell customer service for a copy of the respiratory contaminant guide.



W3206 Superone P2 Respirator with Exhalation Valve

Economical P2 Cup-shape respirator suggested for use with particulate aerosols free of oil

- ▶ Valve provides increased comfort in hot and dusty work environments
- ▶ Preformed for excellent fit, comfort and protection
- ▶ Latex, silicone and PVC free
- ▶ No metal parts – perfect for underground mining
- ▶ Ultra-lightweight 7–12 grams
- ▶ Suitable for use with spectacles
- ▶ Welded straps provide increased comfort against wearers face
- ▶ Fits a wide variety of facial profiles
- ▶ Crush resistant
- ▶ Suitable for welding, glass etching, soldering, brazing, torch cutting, metal pouring, sanding, grinding and dusty environments

1015846 STANDARD SIZE





Reusable Respirators

A reusable respirator can provide a higher level of protection and customisation for workers using respiratory protection more frequently. Spare parts are available to reduce replacement costs.

APR North Legacy Respirators

- ▶ 7700 Series Half Mask
- ▶ 5500 Series Half Mask
- ▶ 5500 Series Kits
- ▶ Backpack adaptor
- ▶ 7600 Series Full Face Mask



Page 26

APR Sperian Legacy Respirators

- ▶ 2000 Series
- ▶ Blue 1 Series
- ▶ 3000 Series
- ▶ Opti-Fit Convertible APR



Page 28

PAPR Powered Air Purifying Respirators

- ▶ Opti-Fit Convertible
- ▶ Turbovisor MV
- ▶ Optrel E3000



Page 30

SAR Supplied Air Respirators

- ▶ Opti-fit Convertible Constant Flow Full Facepiece
- ▶ Constant Flow Respirator Half Face Piece Assembly
- ▶ SAR Optifit Conversion Kit
- ▶ Honeywell Spray Painters Kit
- ▶ Airvisor MV Range
- ▶ ClearFlow 3 Filter System



Page 31

SCBA Self Contained Breathing Apparatus

- ▶ Fenzy XPro
- ▶ Fenzy Aeris
- ▶ Fenzy Bio-Scape
- ▶ PoisChek 3 USB Testbench



Page 42

Reusable respirators use replaceable filters to clean the air when combined with a half face piece, full face piece, or head covering. Wearers are protected from finely divided solids or liquid matter (particulates), or gases and vapours from the air.

Filters are available to protect against contaminants such as organic vapours, acid gases, sulphur dioxide and ammonia.

- (P1)** For use against mechanically generated particulates
- (P2)** For use against mechanically and thermally generated particulates
- (P3)** For use against all particulates including highly toxic materials
- (ABEK)** For use against various gases and vapours (refer page 24)

Features of the reusable range

Honeywell reusable respirators include innovative features and design, providing great protection at a competitive price.

1 Comfortable materials

Manufactured from lightweight silicone to prevent oxidation reaction with ozone, and loss of elasticity, providing durability and comfort.

2 Multi-purpose

The Opti-Fit Convertible full face masks (refer pages 29, 30 & 31) are multi-purpose for easy conversion from APR, PAPR or SAR, to provide protection against almost any contaminant and concentration level.

3 Easy to breathe

Large inhalation ports reduce breathing resistance improving fit and comfort.

4 Range of sizes

All models offer a variety of mask sizes to allow for different face shapes and sizes.

5 Backup service

Complete range of replacement parts provides significant operational cost savings.



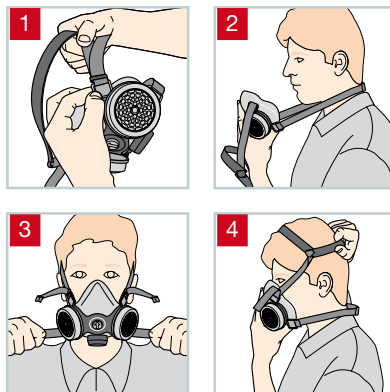
Fitting instructions

For optimum protection against airborne hazards your respirator must be fitted correctly. Follow the instructions below to achieve the best result.

Reusable half mask respirator fitting instructions

- 1** Loosen the elastic band without completely pulling the band out of the slots in the crown suspension.
- 2** Pull gently on the lower neck strap, creating a large loop. Put lower neck strap loop over the head.
- 3** Place the respirator to the face, covering the mouth and nose. (The narrow part of the face piece should be over the nose.) Pull the crown suspension over the head and adjust its placement until it is comfortable.
- 4** Using both hands, grasp the free ends of the elastic band and gently pull the elastic straps away from your face until the respirator is snug and seated comfortably. Be sure the neck strap is flat and smooth against the back of the neck.

To tighten the neck strap, make intermediate adjustments at the straps as they exit the top slots on the yoke. Gently pull the free ends to make final adjustments and secure a comfortable fit of the respirator to your face.



Fit Testing

There are two types of facial fit tests – Qualitative and Quantitative.

Qualitative fit testing is a simple pass/fail test based upon the user's subjective assessment of the leakage, via the face seal region, of a test agent.

Quantitative fit testing uses equipment (usually a Portacount machine) to measure the efficiency of a respirator in preventing materials in the atmosphere from entering a users breathing zone.

AS/NZS 1715 : 2009 states that a Program Administrator (Person who is made responsible for a companies respiratory protection program) must ensure that a suitable fit test is carried out for all respirator users.

Fit testing should be conducted annually or whenever there is a change in the wearers facial characteristics (such as the wearer was to grow facial hair)

The Bitrex Fit Test Kit provides a fit testing option as per section 8.5.3.2 of AS/NZS 1715:2009 (Saccharin Mist test), and is suitable for testing both disposable and reusable respirators fitted with a particulate filter.

If testing a gas or vapour filter the filter should also be fitted with a particulate filter to prevent the wearer inhaling any mist during testing

1010051 BITREX FIT TEST KIT. INCLUDES HOOD, PUMPS AND TEST SOLUTIONS

1010052 BITREX SENSITIVITY SOLUTION PACK OF 6

1010053 BITREX FIT TEST SOLUTION PACK OF 6



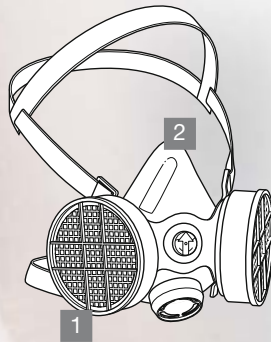
How reusable respirators work

Honeywell reusable respirators utilise a variety of components to operate seamlessly and provide day-long comfort and safety. Contact Honeywell customer service if you require additional information about respirator operation.

Air Purifying Respirator (APR)

When the wearer inhales through the mask, air is drawn in through the filter/s connected to the respirator supplying fresh air into the face piece.

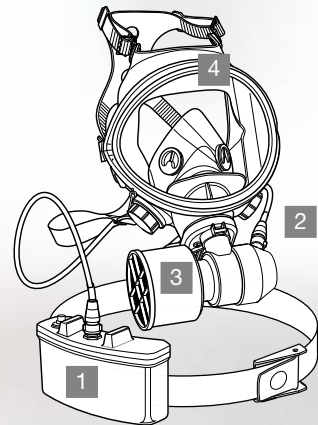
- 1 Filter supplying fresh air
- 2 Nose piece



Powered Air Purifying Respirator (PAPR)

A switch is used to activate a motorised blower unit which draws air through a filter, delivering cool clean air into the respirator face piece.

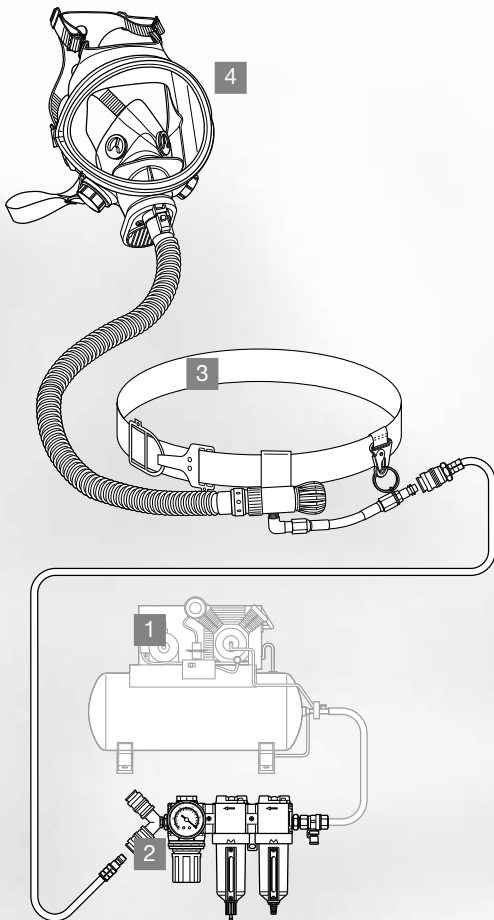
- 1 Battery pack
- 2 Blower unit
- 3 Filter
- 4 Face piece



Constant Flow Supplied Air Respirator (SAR)

Compressed air from outside the hazard area delivered to a coalescing filter for cleaning and then to the respirator waist belt for regulating to a constant flow, delivering cool clean air into the face piece.

- 1 Compressor
- 2 Coalescing filter
- 3 Regulator
- 4 Face piece

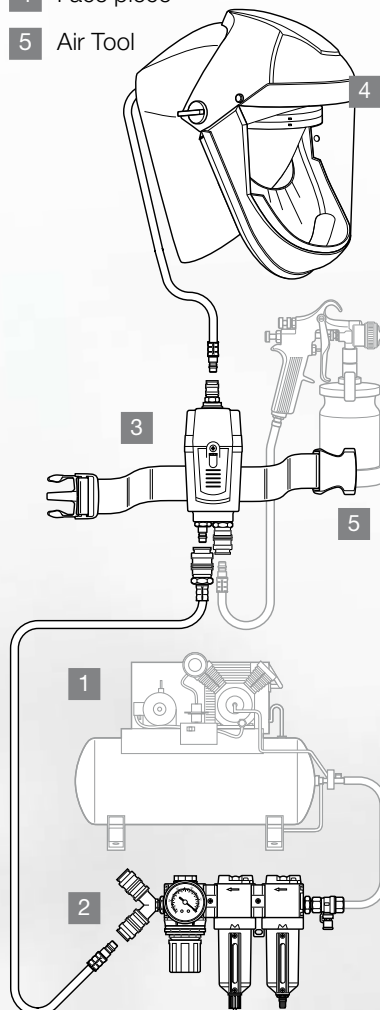


Note: The compressor is not provided

Airvisor MV

Compressed air from outside the hazard area is delivered to a coalescing filter for cleaning and then to the respirator waist belt for regulating to a constant flow, delivering cool clean air into the face piece. Air is also available for air tools.

- 1 Compressed air
- 2 Coalescing filter
- 3 Regulator
- 4 Face piece
- 5 Air Tool

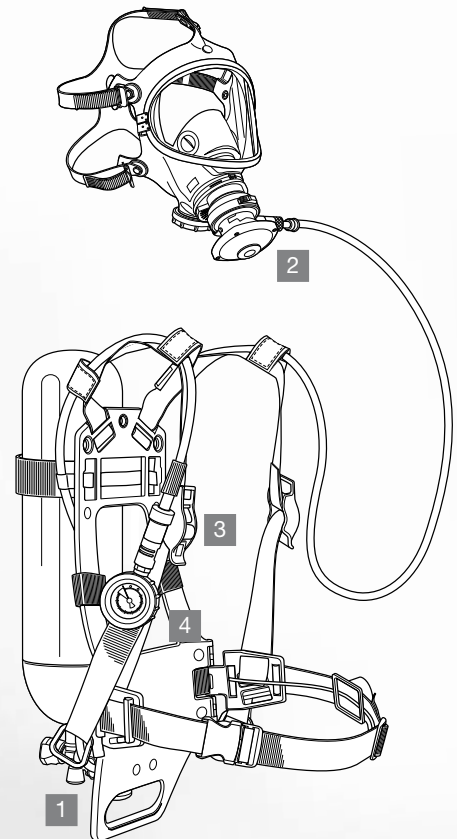


Note: The compressor & air tool are not provided

Self Contained Breathing Apparatus (SCBA)

Compressed air from a cylinder is delivered to the face piece via a demand valve and pressure reducer. Gauge displays cylinder volume and warning whistle is activated when remaining air is low.

- 1 Cylinder
- 2 Demand valve
- 3 Pressure reducer
- 4 Warning whistle and gauge



Filter selection chart

Use the contaminant hazard chart to help select the right filter for your work environment. Selecting a filter and mask combination is dependent on a number of factors, including the type of contaminant, exposure time and level of exposure.



Important Information

This filter selection chart should be used as a guide only. An MSDS sheet should be consulted and concentration levels of the contaminants you are working with should be checked before deciding on a disposable or reusable respirator with filters. Some contaminant concentrations may require a higher level of protection such as a PAPR, SAR or SCBA.

HAZARDS KEY

A	Organic Vapours
B	Acid Gases
E	Sulphur Dioxide (SO ₂)
K	Ammonia (NH ₃)
HG	Mercury
P	Particulates

HAZARD	A	B	E	K	HG	P
Acetaldehyde	•					
Acetic acid	•	•	•	•		
Acetic anhydride	•					
Acetone	•					
Acetophenone	•					
Acrylic acid	•					
Acrylonitrile	•					
Aliphaticnaphtha	•					
Allyl alcohol	•					
Aluminium chloride						P1
Aluminium metal & oxide dust						P1
Ammonia				•		
Ammoniumchloride, mist				•		P1
n-Amyl acetate	•					
Antimony dust						P1
Antimony fume						P2
Aromatic naphtha	•					
Arsenic & soluble compounds						P2
Asbestos (working around, not removing)						P1
Asbestos removal (PAPR required)						P3
Barium						P1
Benzaldehyde		•	•			
Benzoyl peroxide	•					P2
Benzyl chloride	•	•	•			
Beryllium						P3
Biphenyl	•					P2
Bromine	•	•				
Butyl acetate	•					
Butyl alcohol	•					
n-Butylamine				•		
Butyl phenol	•					P2
Butyraldehyde	•					
Cadmium dust						P1
Cadmium fume						P2
Caprolactam	•					P2
Carbon disulfide	•					
Chlorine		•				
Chlorinedioxide		•				
Chlorineparaffin		•				
Chloroacetophenone	•	•	•	•		P3
Chlorobenzene	•					
Chromic acid and chromates						P1
Cobalt metal dust						P1
Cobalt metal fume						P2
Copper dust						P1
Copper fume						P2
Cresol, all isomers	•					P2
Crotonaldehyde	•					
Cumene	•					
Cyclohexane	•					
Cyclohexanol	•					
Cylohexanone	•					
Diacetone alcohol	•					
Dibutylamine	•					

HAZARD	A	B	E	K	HG	P
Dibutyl phosphate	•					P1
Dichlorobenzene	•					P1
1, 2 - Dichloroethylene	•					
Diethylamine	•			•		
Diethyl ketone	•					
Dimethyl ether						SAR
Dimethylamine				•		
Dinitrobenzene	•					P1
Ethanolamine	•					
2 - Ethoxyethanol	•					
Ethylacetate	•					
Ethyl acrylate	•					
Ethylamine	•			•		
Ethyl diamine	•					
Ethylene glycol	•					
Ethylether	•					
Ferrous chloride						P1
Formaldehyde		•	•			
Furfural	•					
Furfuryl alcohol	•					
Glutaraldehyde	•					P3
Glycolmonoethyl ether	•					
Heptane	•					
Hexachloroethane	•					P2
Hexane	•					
Hexylene glycol	•					
2 - Hydroxy propyl acrylate	•					P1
Hydrochloric acid gas		•				
Hydrogen bromide						SAR
Hydroquinone	•	•	•	•		P3
Iron oxide fume						P2
Isoamyl acetate	•					
Isoamyl alcohol	•					
Isobutyl acetate	•					
Isophorone	•					
Isopropyl acetate	•					
Isopropylamine				•		
Isopropyl ether	•					
Lead dust						P1
Lead fume						P2
Maleicanhydride						P1
Manganese dust						P1
Manganese fume						P2
2 - Methoxy ethanol	•					
2 - Methoxy ethylacetate	•					
3 - Methoxy propyl amine				•		
Methyl acetate	•					
Methyl acrylate	•					
Methylamine				•		
Methyl amyl alcohol	•					
Methyl n-amyl ketone	•					
Methylcyclohexane	•					
Methyl ethyl ketone (MEK)	•					

HAZARD	A	B	E	K	HG	P
PI Methylisobutyl ketone (MIBK)		•				
PI Methylisopropyl ketone	•					
Methyl mercaptan	•					
Methyl methacrylate	•					
Methyl propyl ketone	•					
a - Methyl styrene	•					
Monoethylamine				•		
Morpholine	•					
Naphtha	•					
Naphthalene	•					
Nickel metal dust						P1
Nickel metal fume						P2
Nitroaniline	•					P1
Nitrobenzene	•					
Nitrotoluene	•					P2
Octane	•					
Oxalic Acid	•					P2
Phenol	•					P1
p - Phenylenediamine	•					P1
Phenyl ether	•					
Phenyl mercaptan	•					
Phosphoric acid						P3
Phthalic anhydride	•					P1
Potassium hydroxide						P1
2 - Propanol	•					
Propenoic acid	•					
Propionic acid	•					
Propylene dichloride	•					
Pyridine	•					
Quartz(silica)						P1
Selenium compounds(asSe)						P1
Selenium sulfide		•	•			P2
Sodium bisulfite		•				P1
Sodium fluoride		•				P3
Sodium hypochlorite						P1
Stoddard solvent	•					
Styrene monomer	•					
Sulfamic acid						P1
Sulphur dioxide			•			
Sulfuric acid						P1
Tetrahydrofuran	•					
Toluene	•					
Tributyl phosphate	•					P1
Trichloroacetic acid	•	•				
Trichloromethylsilane		•				P1
Trimethyl benzene	•					
Trisodium phosphate						P3
Turpentine	•					
Vinyl acetate	•					
Vinyl toluene	•					
White spirits	•					
Xylene	•					
Zinc chloride fume						P2

*Class P3 can only be assigned when combined with a full face piece.

Filter Life Expectancy

Filter life depends on a number of variable factors including: the wearers breathing rate, the characteristics and level of the contaminant, the length of exposure to a contaminant, and

environmental conditions such as temperature and humidity which could also effect the wearers breathing rate. Saturated or used filter cartridges will leak trace amounts of contaminants

to the wearer which may be detected by odour, taste, and/or irritation – If a contaminant can be detected by any of these means filter cartridges should be changed immediately.

North Legacy Filters FOR USE ONLY WITH LEGACY NORTH MASKS SHOWN ON PAGES 26–27



N06575081L A1-P3 FILTER



N06575083L ABE1-P3 FILTER



N06575084L K1-P3 FILTER



N06575089L ABEK1-P3 FILTER



N06575852L A1HGP3 FILTER



N06575001L A1 FILTER



N06575002L AE1 FILTER



N06575003L ABE1 FILTER



N06575004L K1 FILTER



N06575009L ABEK1 FILTER



7506P2 PRE FILTER



N750037A Allows P2 pre-filter to be used with mask alone



N750036A Allows P2 pre-filter to be used with gas filter



N7500P3 P2/P3 FILTER
N7500P30 P2/P3 FILTER WITH NUISANCE OV/AG



6575008 P3 FILTER

Sperian Legacy Filters FOR USE ONLY WITH LEGACY SPERIAN MASKS SHOWN ON PAGES 28–29



U100100 A2 FILTER



U100200 BE1 FILTER



U100300 ABE1 FILTER



U100400 K1 FILTER



100800 ABEK1 FILTER



U105000 P3 FILTER



U105100 A2-P3 FILTER



U105200 BE1-P3 FILTER



U105300 ABE1-P3 FILTER



U105400 K1-P3 FILTER



U105800 ABEK1-P3 FILTER



108000 PAPR-P3 FILTER



B140074 FILTER BASE PLATE



U101000 P2 PREFILTER



140079 FILTER RETAINER

Legacy North Reusable Half and Full Face Masks

Used in conjunction with replaceable filters to protect against a variety of contaminants. Ideal for people who use masks on a regular basis.



7700 Series Half Mask

The Honeywell 7700 Series half mask is the most comfortable and durable half mask available.

- ▶ 100% silicone mask provides all day comfort
- ▶ Less dead air space meaning less exhaled air is re-breathed encouraging increased worker productivity
- ▶ Quick to dismantle and clean, with all 9 parts replaceable
- ▶ Superior exhalation valve allows more breath to be exhaled leaving workers feeling cooler & more comfortable
- ▶ Variable thickness in sealing area conforms to nose bridge for improved comfort and fit
- ▶ Built-up chin area maintains fit even while talking
- ▶ Numerous applications – Refer to page 25 for available filters

770030AS SMALL SIZE
770030AM MEDIUM SIZE
770030AL LARGE SIZE



5500 Series Half Mask

The economical choice for the occasional user or contractor. Made with a comfortable, non-allergenic thermoplastic elastomer material.

- ▶ Thermoplastic elastomer material avoids latex allergens common to economy masks
- ▶ Less dead air space meaning less exhaled air is re-breathed encouraging increased worker productivity
- ▶ Quick to dismantle and clean, with all 9 parts replaceable
- ▶ Superior exhalation valve allows more breath to be exhaled leaving workers feeling cooler & more comfortable
- ▶ Variable thickness in sealing area conforms to nose bridge for improved comfort and fit
- ▶ Built-up chin area maintains fit even while talking
- ▶ Numerous applications – Refer to page 25 for available filters

550030AS SMALL SIZE
550030AM MEDIUM SIZE
550030AL LARGE SIZE



5500 Series Lunchbox Kits

Kits combine a latex free half mask with the right filters and accessories into handy Kits. Lunchbox style packaging provides handy storage to keep mask and filters dust-free when not in use.

Spray Painter's Kit features

- ▶ A1P2 rating provides protection against organic vapours and particulates.
- ▶ Complete with half mask, A1 rated filters, P2 rated pre filters and retainers, plus two mask cleaning wipes

Welder's Kit features

- ▶ Pancake Filter P2 rating with a half mask (P3 with full face) provides protection against particulates including dust mist & fume, as well as nuisance odour protection
- ▶ Pancake filters are flexible and easily fit underneath a welding helmet
- ▶ Complete with half mask and P2 rated Pancake filters, with nuisance level organic vapour protection, plus two mask cleaning wipes

RHSP-5500SM SPRAY KIT MEDIUM
RHSP-5500WM WELDERS KIT MEDIUM



5500 Series Clamshell Kits

The economical choice for spraying or welding. Welding kit includes half mask and P2 pancake filters. Spray kit includes half mask, A2 rated filters, P2 rated pre filters and retainers.

Spray Painter's Kit features

- ▶ A1P2 rating provides protection against organic vapours and particulates
- ▶ Complete with half mask A1 rated filters, P2 rated pre filters and retainers

Welder's Kit features

- ▶ Pancake Filter P2 rating with a half mask (P3 with full face) provides protection against particulates including dust mist and fume
- ▶ Pancake filters are flexible and easily fit underneath a welding helmet
- ▶ Complete with half mask and P2 rated pancake filters

5500WKITS WELDER'S KIT SMALL

5500WKITM WELDER'S KIT MEDIUM

5500WKITL WELDER'S KIT LARGE

5500SKITS SPRAY KIT SMALL

5500SKITM SPRAY KIT MEDIUM

5500SKITL SPRAY KIT LARGE



* Mask and filters sold separately

Backpack Adaptor

The Honeywell Backpack Adaptor relocates cartridges and filters out of the work zone, placing them on the user's back. This also reduces weight of the mask. Oval hose design provides low profile under tight fitting welding helmets. Adapts easily to Honeywell Full Face piece and Half Face piece air purifying respirators, by screwing securely to face piece cartridge connectors.

- ▶ Provides Respiratory Protection that can be worn under a welding helmet
- ▶ Can be used with particulate and gas/vapour cartridges, allowing greater filter selection and versatility for different applications
- ▶ Keeps filters out of the contaminant zone for improved longevity
- ▶ Provides greater worker comfort and acceptance
- ▶ Delivers lower operating costs as filters are replaced less often

BP1002A BACK PACK ADAPTOR FOR HONEYWELL MASKS AND FILTERS



7600 Series Full Face

The Honeywell 7600 full facepiece mask offers superior fit, comfort and reliability

- ▶ Silicone mask provides all day comfort and avoids latex allergens common to economy masks
- ▶ Speech diaphragm provides clarity in noisy environments
- ▶ Flexible, wide dual flange sealing area fits all kinds of faces
- ▶ Five strap head harness and chin cup for a more secure fit even during strenuous jobs requiring lots of movement
- ▶ Nose cup is standard, delivering less dead air space for increased worker comfort and productivity
- ▶ Channelled anti-fog lens offers a wide 200° field of vision plus downward view facilitates going up and down ladders
- ▶ Numerous applications – Refer to page 25 for available filters

760008AAS SMALL SIZE

760008AA MEDIUM/LARGE

Legacy Sperian APR Reusable Half Masks

Half-face protection used in conjunction with replaceable filters to protect against a variety of contaminants. Ideal for people who use masks on a regular basis.



2000 Series Half Mask

Lightweight silicone construction with an impressive range of features provides a comfortable user-friendly half mask

- ▶ Comfortable, pliable silicone prevents oxidation and elasticity loss
- ▶ Large, pliable sealing area providing excellent fit
- ▶ Oversized inhalation ports provide lower breathing resistance
- ▶ Comfortable, angled self-adjusting nose allows for safety eyewear
- ▶ Yoke design for a snug secure fit and reduced face piece slippage
- ▶ Computer designed face piece provides optimal speech communication without using a speaking diaphragm
- ▶ Replacement parts available for significant cost savings
- ▶ Ideal for use on a regular basis
- ▶ Accepts a range of Honeywell threaded replacement cartridge/filters
- ▶ Numerous applications – Refer to page 25 for available filters

U250000 SMALL SIZE
U260000 MEDIUM SIZE
U270000 LARGE SIZE



Blue 1 Series Half Mask

The only half mask with a speaking diaphragm. An economical way to improve communication in noisy areas

- ▶ Comfortable, pliable silicone prevents oxidation and elasticity loss
- ▶ Yokeless head harness will not interfere with filter attachment
- ▶ Speech diaphragm for communication in noisy work environments
- ▶ Comfortable, angled self-adjusting nose allows for safety eyewear
- ▶ Replacement parts available for significant cost savings
- ▶ Face piece skirt is covered by a 5-year warranty
- ▶ Excellent choice for professionals
- ▶ Ideal for use on a regular basis
- ▶ Accepts a range of Honeywell threaded replacement cartridge/filters
- ▶ Numerous applications – Refer to page 25 for available filters

U210010 SMALL SIZE
U220010 MEDIUM SIZE
U230010 LARGE SIZE



3000 Series Half Mask

Economical half face mask packed full with all the features you expect in a quality respirator

- ▶ Comfortable, pliable silicone prevents oxidation and elasticity loss
- ▶ Comfortable, angled self-adjusting nose allows for safety eyewear
- ▶ Yokeless head harness will not interfere with filter attachment
- ▶ Replacement parts available for significant cost savings
- ▶ Ideal for use on a regular basis
- ▶ Numerous applications – Refer to page 25 for available filters

U350000 SMALL SIZE
U360000 MEDIUM SIZE
U370000 LARGE SIZE

APR Reusable Full Face Masks

Full-face protection used in conjunction with replaceable filters to protect against a variety of contaminants. Ideal for people who use masks on a regular basis.



3000 Series Kits

Pre-packaged kits include 3000 Series mask and filters selected for welding and spray painting/pesticide spraying

- ▶ Spray Painters Kit includes:
 - 3000 Series mask
 - 2 x A2 filters
 - 2 x P2 pre-filters
 - 2 x retainers
- ▶ Welders Kit includes:
 - 3000 Series mask
 - 2 x P3 filters
- ▶ Suitable for Spray painting in low level contaminated environments and welding applications

U351033 SPRAY PAINTERS KIT SMALL SIZE

U351034 SPRAY PAINTERS KIT MEDIUM SIZE

U351035 SPRAY PAINTERS KIT LARGE SIZE

U351036 WELDERS KIT SMALL SIZE

U351037 WELDERS KIT MEDIUM SIZE

U351038 WELDERS KIT LARGE SIZE



Opti-Fit Convertible APR

Versatile full face respirator. Easily switch the face piece from various applications (APR, PAPR, SAR) without having to change face pieces

- ▶ Convert for various applications (APR, PAPR and CF-SAR) using face piece caps and the appropriate ports
- ▶ Only one fit test needed for APR, PAPR and CF-SAR applications
- ▶ Saves on inventory, time and cost
- ▶ Distortion-free lens for excellent visibility and wide viewing area
- ▶ Lightweight design reduces head and neck stress
- ▶ Choose from a 5-point strap or industrial mesh head net
- ▶ All straps attach to the rim of the face piece, rather than the silicone skirt, to reduce pressure points and distortion of the sealing surface when tightened
- ▶ Nose cup prevents fogging. Optional kits for custom sizing (comes standard with medium nose cup) and optional clear nose cup kits are available
- ▶ Numerous applications – Refer to page 25 for available filters

U754000 5-POINT STRAP SMALL SIZE

U764000 5-POINT STRAP MEDIUM SIZE

U774000 5-POINT STRAP LARGE SIZE

U754100 MESH HEAD NET SMALL SIZE

U764100 MESH HEAD NET MEDIUM SIZE

U774100 MESH HEAD NET LARGE SIZE

702090 SURVIVAIR OPTIFIT MESH HEAD NET

RETRO FIT KIT

Powered Air Purifying Respirators (PAPR)

Provides increased protection by delivering filtered air into the face piece, reducing inward leakage and increasing comfort.



Opti-Fit Convertible PAPR

Versatile full face respirator. Easily switch the face piece from various applications (APR, PAPR, SAR) without having to change face pieces

- ▶ Convert for various applications (APR, PAPR and CF-SAR) using face piece caps and the appropriate ports
- ▶ Only one fit test needed for APR, PAPR and CF-SAR applications
- ▶ Saves on inventory, time and cost
- ▶ Distortion-free lens for distortion free visibility and wide viewing area
- ▶ Lightweight design reduces head and neck stress
- ▶ Choose from a 5-point strap or industrial mesh head net
- ▶ Nose cup prevents fogging. Optional kits for custom sizing (comes standard with medium nose cup)
- ▶ Low cost High Efficiency (P3) filter consolidates inventory and reduces costs
- ▶ Contoured, water resistant battery pack fits comfortably on wearer's hips
- ▶ Efficient motor provides a high 170lpm air flow rate

U520600 5 POINT STRAP, MEDIUM
520073-AUST BATTERY CHARGER
108000 PAPR-P3 FILTER
702090 SURVIVAIR OPTIFIT MESH
HEADNET RETRO FIT KIT



Turbovisor MV

Versatile power assisted respirator draws air through filter system and distributes it to the breathing zone

- ▶ Robust design with lightweight construction
- ▶ P2 electrostatic filter supplied as standard, odour filter optional
- ▶ Wide view visor gives maximum comfort
- ▶ Detachable cotton neck cover to protect hair
- ▶ Smooth, tilt visor can be raised when out of the hazard area
- ▶ Turbovisor comes standard with a polycarbonate visor for impact protection
- ▶ Acetate replacement visor available for chemical splash protection

1010032 6 HOUR HEAD MOUNTED BATTERY
1008030 8 HOUR WAIST MOUNTED BATTERY



Optrel E3000 PAPR

Designed for harsh working conditions that require a comfortable, high performing air purifying respirator system that provides maximum protection from smoke, dust and fumes, while being a cost efficient solution.

- ▶ Continuous monitoring of the air flow by means of an integrated sensor during the whole welding process
- ▶ Adjustable three-level air flow of 150 to 250 L/min
- ▶ Cooling effect even at most extreme ambient conditions
- ▶ Constant air flow thanks to smart sensor-controlled electronics
- ▶ Variable adjustment of the air flow between forehead and respiratory area
- ▶ Continuous welding process for two shifts without interruptions
- ▶ Efficient battery management provides operating time up to 20 hours (long life battery only)
- ▶ Cost-saving filter system consisting of prefilter and particle filter
- ▶ Big-surface particle filter slows down the clogging of the filter in cost-efficient manner
- ▶ Smart concept of filter replacement helps to lower the operating costs
- ▶ High Impact & IR UV Protection
- ▶ AS/NZS 1337 & 1338

4550.000 E3000 BLUE AND E680 DARK BLUE
WELDING HELMET

4590.101 E3000 BLUE PAPR AND GALAXY HIGH
IMPACT WELDING HELMET

Constant Flow Supplied Air Respirators (SAR)

Provides high level of interchangeability and protection in non-IDLH environments, where air sources are available.



Constant Flow SAR Half-face Piece Assembly

Constant flowing clean air is supplied to the face for reduced fatigue and increased comfort

- ▶ Compatible with a wide range of common air sources
- ▶ Comes complete with waistbelt
- ▶ Easily adjustable head harness
- ▶ Cooling comfortable air flow across the face
- ▶ Reduces fatigue as the operator's breathing is assisted

981323 HALF MASK ASSEMBLY



SAR Opti-fit Conversion Kit

Allows Opti-fit convertible full face masks to be used for continuous flow SAR applications

- ▶ Easy to use
- ▶ Comfortable and lightweight
- ▶ Waistbelt includes hose and air flow regulator

981223 CONVERSION KIT



Constant Flow Opti-Fit Convertible SAR

Versatile full face respirator. Easily switch the face piece from various applications (APR, PAPR, SAR) without having to change face pieces

- ▶ Convert for various applications (APR, PAPR and CF-SAR) using face piece caps and the appropriate ports
- ▶ Only one fit test needed for APR, PAPR and CF-SAR applications
- ▶ Saves on inventory, time and cost
- ▶ Distortion-free lens for distortion free visibility and wide viewing area
- ▶ Lightweight to reduce head and neck stress
- ▶ Available with a 5-point strap or an industrial mesh head net using the mesh retro fit kit
- ▶ Connects to airline hose by a high volume, low pressure, durable rubber breathing tube
- ▶ Breathing tube attaches to one front inlet nozzle port (side ports are capped off)
- ▶ Conversion Kit available separately to convert APR or PAPR to SAR

U981501 5 POINT STRAP MEDIUM SIZE

702090 SURVIVAIR OPTIFIT MESH HEADNET RETRO FIT KIT



Opti-Fit Convertible Constant Flow SAR Yellow Air Breathing Hose

- ▶ Material Inner: White Medical Grade PVC
- ▶ Material Outer: Yellow Medical Grade PVC
- ▶ Reinforcing: High Tenacity Polyester yarn
- ▶ Inside Diameter : 10.5mm
- ▶ Outside Diameter: 17.5mm
- ▶ Working Pressure @ 20°C : 2.4MpA

10MTRE342 10M HOSE W/CEJN COUPLINGS

15MTRE342 15M HOSE W/CEJN COUPLINGS

20MTRE342 20M HOSE W/CEJN COUPLINGS

30MTRE342 30M HOSE W/CEJN COUPLINGS

Constant Flow Supplied Air Respirators (SAR)

Provides high level of interchangeability and protection in non-IDLH environments, where air sources are available.



Honeywell Spray Painters Kit

A complete respiratory protective system, ideal when applying two-pack paint

- ▶ Complete with air-visor, 7.5m auxiliary air hose for spray tool, waistbelt regulator and Clearflow 3 wall mount filter
- ▶ Two person combination filter set including airline fittings
- ▶ Kit is packed in a reusable plastic storage container

DCF-100SPW SPRAY PAINTERS KIT

1763903 CLEARFLOW 3 WALL MOUNT FILTER SET

1011061 7.5M AIR HOSE



Airvisor MV Re-finishers Spray Kit

SAR with additional spray gun hose assembly and acetate visor to provide protection against chemical splashes

- ▶ Disposable fabric face skirt cassette
- ▶ Waistbelt with tamper-proof airflow regulator
- ▶ Additional spray-gun hose assembly allows spray painters to run a spray-gun off the waistbelt regulator while also supplying air to the visor
- ▶ Clear acetate visor

1007972 RE-FINISHERS KIT



Airvisor MV Chemical Kit

SAR with acetate visor which provides protection against chemical splashes

- ▶ Disposable fabric face skirt cassette
- ▶ Waistbelt with tamper-proof airflow regulator
- ▶ Clear acetate visor

1007985 CHEMICAL KIT



Airvisor MV Industrial Kit

SAR with polycarbonate visor which provides impact resistance against flying particles

- ▶ Disposable fabric face skirt cassette
- ▶ Waistbelt with tamper-proof airflow regulator
- ▶ Polycarbonate visor

1007973 INDUSTRIAL KIT



Airvisor Spray Kit

SAR featuring a foam face seal and acetate visor to provide protection against chemical splashes

- ▶ Disposable foam face skirt cassette
- ▶ Lightweight construction reduces stress on the head and neck
- ▶ Acetate visor

1011060 SPRAY KIT



Clearflow 3 Filter System

The Clearflow 3 compressed air filtration unit has been designed to deliver high quality breathable air to a range of respiratory devices.

- ▶ Supplies breathable air for up to four operators using supplied air respirators, or up to two operators using respirators in combination with auxiliary tools such as hand held paint spraying equipment
- ▶ The Clearflow 3 range is available in wall mounted and portable stand versions
- ▶ High filtration capacity due to high flow system (no flow change when connecting auxiliary tools), high efficiency coalescing filter and high capacity carbon filter
- ▶ New one piece compact design which offers easy use and easy maintenance
- ▶ Differential pressure indicator removes the guesswork from selecting the right pressure level

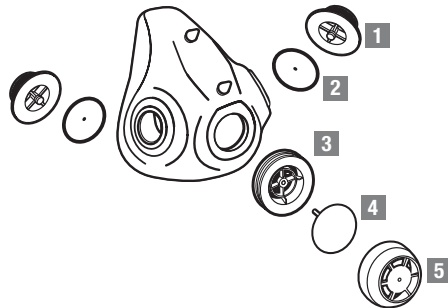
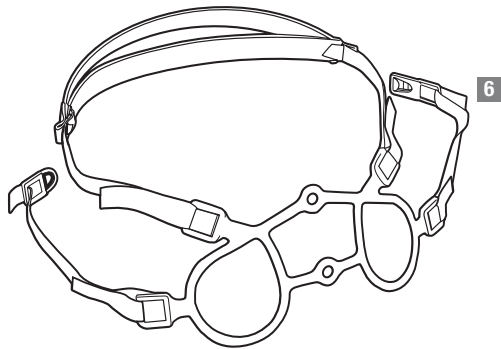
1763903 HONEYWELL CLEARFLOW 3 FILTER SYSTEM WALL MOUNT

1763904 HONEYWELL CLEARFLOW 3 FILTER SYSTEM ON PORTABLE STAND

1763908 COALESCING FILTER ELEMENT

1763907 CARBON ABSORBER FILTER ELEMENT

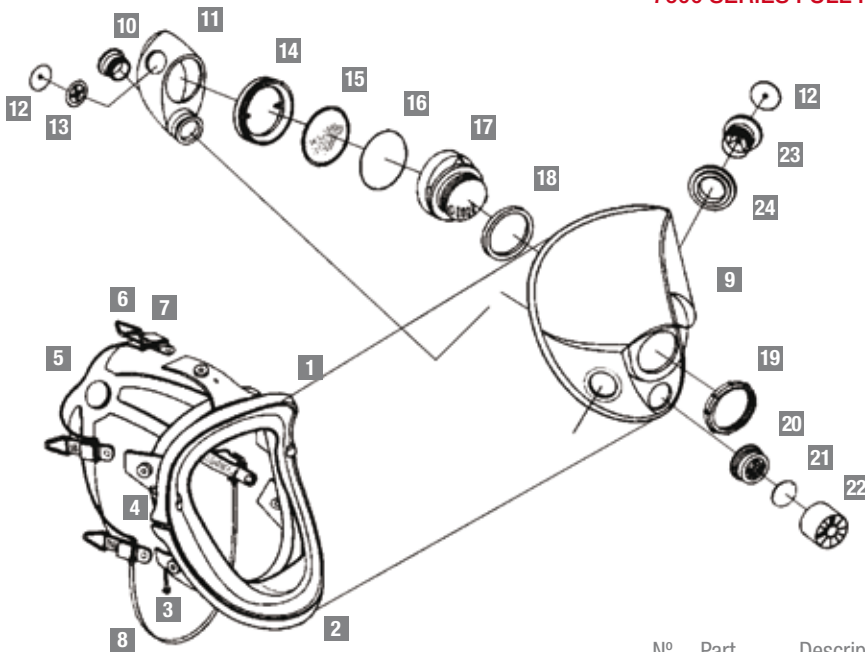
Spare Parts



5500 AND 7700 SERIES HALF MASK

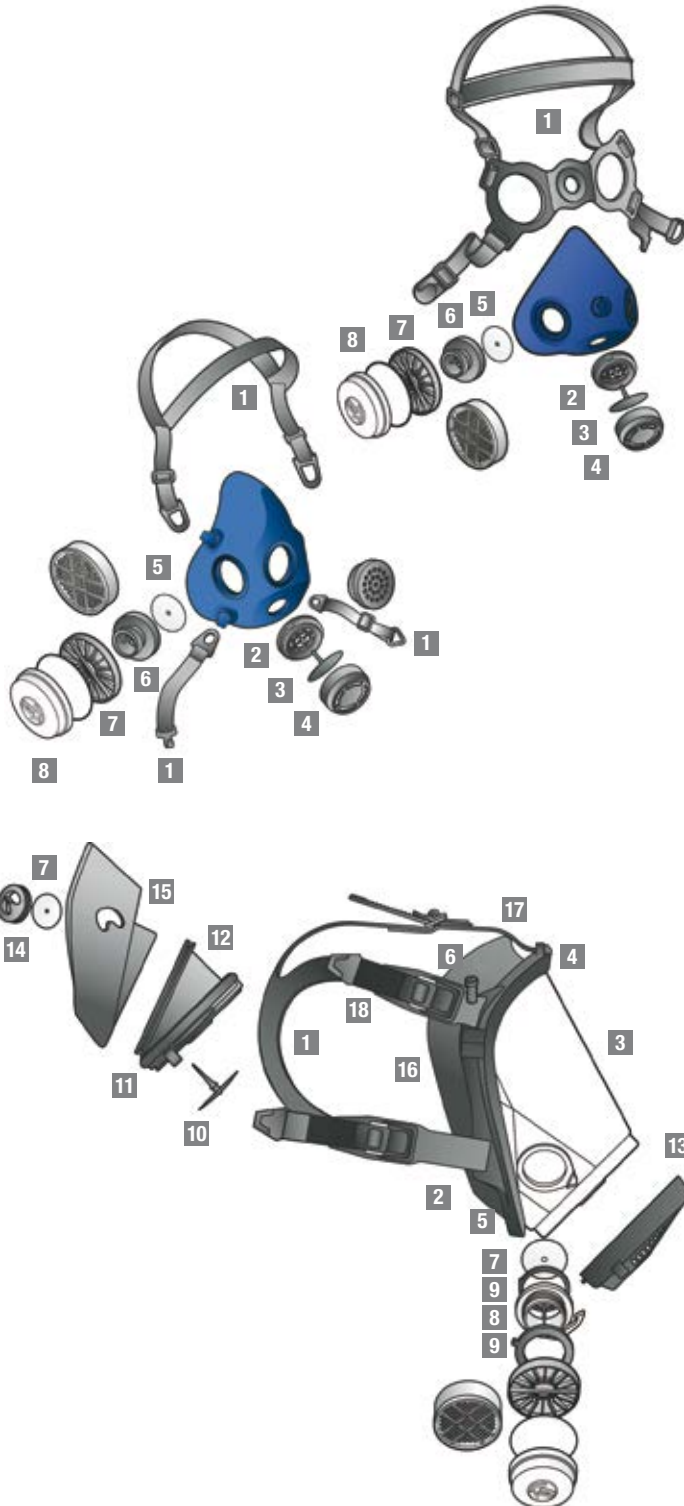
N°	Part	Description
1	770016	Cartridge Connector
2	770017	Inhalation Valve
3	770019	Exhalation Valve Seat
4	770018	Exhalation Valve
5	770020	Exhalation Valve Guard
6	770092	Cradle Suspension System

7600 SERIES FULL FACE MASK



N°	Part	Description
1&2	80798	Lens Clamps Upper & Lower (1 set)
3	80843A	Screw, Lens Clamp
4	80844A	Nut, Lens Clamp
5	80845	Headstrap (Less Hardware)
6	80846A	Latch, Headstrap
7	80847A	Bail, Headstrap, Metal
8	80848	Neckstrap Assy. for 7600
9	80849	Lens for 7600
10	80852	Flange
11	80815	Oral/Nasal Cup, Med/Large 80800 Oral/Nasal Cup, Small
12	770017	Inhalation Valve
13	80814A	Valve Seat, Inhalation
14	80855	Locking Inhalation Ring
15	80856	Speaker Diaphragm
16	80857A	O-Ring, Speaker Diaphragm
17	80858	Housing, Speaker Diaphragm
18	80861A	O-Ring, Speaker Diaphragm Housing
19	80862	Nut, Adaptor
20	80863	Exhalation Valve Seat
21	770018	Exhalation Valve
22	80867	Exhalation Valve Guard
23	770016	Cartridge Connector for 7600
24	80871A	Grommet for 7600

Spare Parts



2000 & 3000 SERIES HALF MASK

N°	Part	Description
1	260048	Headband and Yoke
2	B200019	Exhalation Valve Seat
3	B140005	Exhalation Valve Pack of 4
4	B260018	Exhalation Valve Cover
5	B140001	Inhalation Valve Pack of 6
6	B140002	Cartridge Connector
7	B140074	Filter Holder/Base Pack of 2
8	140079	Filter Retainer

BLUE 1 HALF MASK

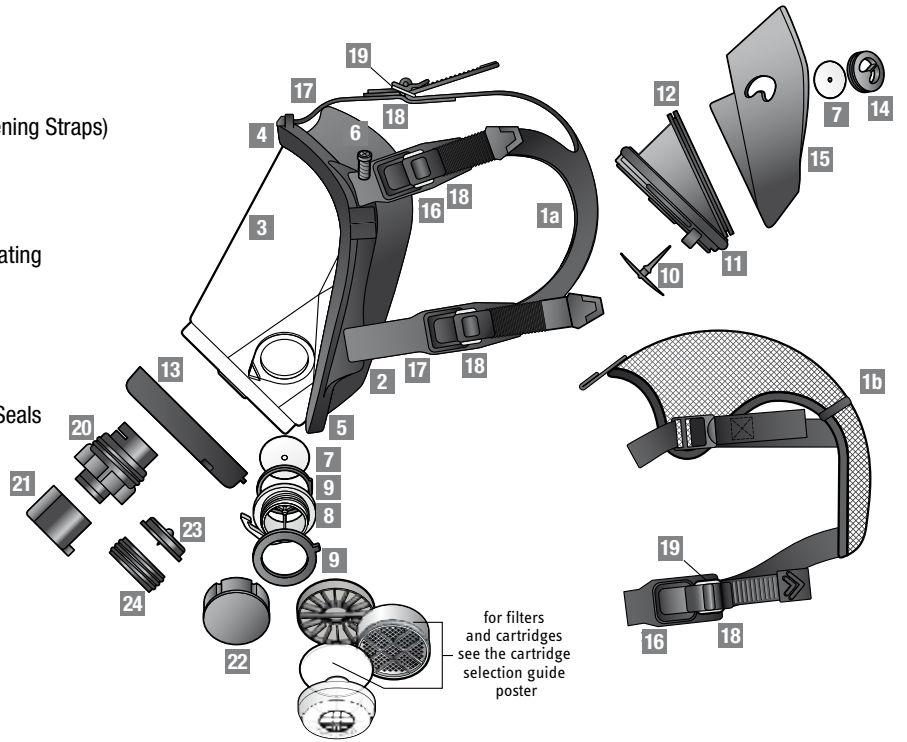
N°	Part	Description
1	B140040	Headband and Cradle
2	B200019	Exhalation Valve Seat
3	B140005	Exhalation Valve Pack of 4
4	B260018	Exhalation Valve Cover
5	B140001	Inhalation Valve Pack of 6
6	B140002	Cartridge Connector
7	B140074	Filter Holder/Base Pack of 2
8	140079	Filter Retainer
9	B220054	Speaking Diaphragm Blue 1

STANDARD OPTI-FIT FULL FACE MASK (COMPLETE UNIT NO LONGER AVAILABLE)

N°	Part	Description
1	702009	Headstrap
2	962157	Small Skirt
2	962167	Medium Skirt
2	962177	Large Skirt
3	702007	Replacement Lens Polycarbonate Anti Scratch Coating
4	962031	Upper Rim
5	962037	Lower Rim
6	839102	Screw For Lens Retainer (2 req.)
7	B140001	Inhalation Valve Pack of 6
8	702035	Connector Threaded
9	702037	Twin Seal
10	B140005	Exhalation Valve Pack of 4
11	820261	O Ring
12	702003	Nozzle
13	702004	Cover
14	962090	Air Valve Holder
15	702023	Nose Cup
16	702016	Short Buckle Strap TPE
17	702012	Long Buckle Strap TPE
18	702011	Buckle
	702028	Survivair Clear Lens Tear Off Covers (not shown)

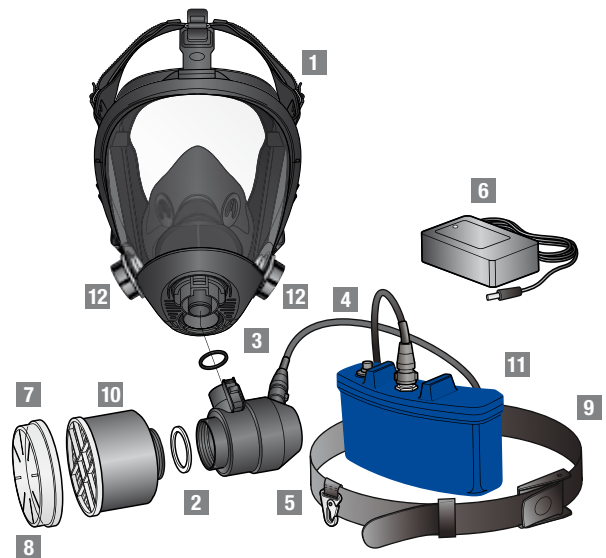
OPTI-FIT CONVERTIBLE: 7540/7640/7740/7541/7641/7741/5260/981501

N°	Part	Description
1A	702009	Headstrap/TPE
1B	702090	Black Mesh Headnet Kit (Includes Tightening Straps)
2	962157	Silicone Skirt/Small
2	962167	Silicone Skirt/Medium
2	962177	Silicone Skirt/Large
3	702007	Replacement Lens with Anti-Scratch Coating
4	962031	Upper Rim
5	962037	Lower Rim
6	839102	Screw
7	B140001	Inhalation Valve (6/pkg)
8	702035	Connector Kit (2/pkg)/Includes (2) Twin Seals
9	702037	Twin Seal (2/pkg)
10	B140005	Exhalation Valve (4/pkg)
11	820261	O-Ring
12	702013	Nozzle
13	702048	Cover
14	962090	Valve Holder
15	702023	Nose Cup/Medium/Black (Standard)
15	962147	Nose Cup/Small/Black (Optional)
15	702025	Nose Cup/Large/Black (Optional)
16	702016	Short Buckle Strap/TPE
17	702012	Long Buckle Strap/TPE
18	702011	Buckle
19	702008	D-Ring
20	702145	Adaptor Assembly (O-Rings installed)
21	420020	Cap
22	985020	Screw Cap
23	763016	Nozzle Gasket
24	962066	Nozzle Plug

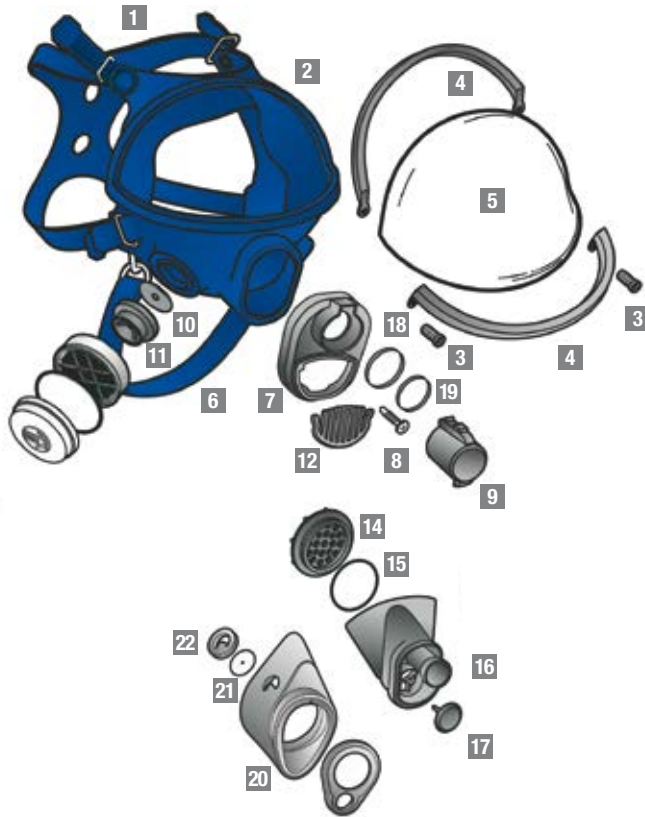


OPTI-FIT CONVERTIBLE PAPR

N°	Part	Description
1	U520600	Opti-Fit Convertible PAPR
2	B520033	Blower Gasket
3	82401410	O-RING for breathing tube & mask mounted blower
4	520030	Replaceable Power Cord
5	520020	Blower Assembly
6	520073-AUST	Battery Charger for Survivair PAPR
7	981177	Filter Shower Cap with holes
8	981178	Filter Shower Cap without holes
9	520050	Waist Belt
10	108000	P3 filter to suit Survivair PAPR (mask mounted)
11	A520060	Battery Pack
12	985020	Threaded Cap (2 req)

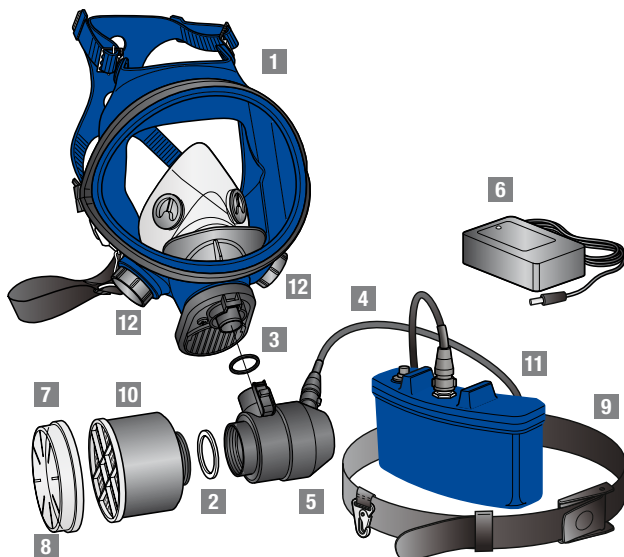


Spare Parts



4000 SERIES FULL FACE MASK

N°	Part	Description
1	941723	Headstrap 4-pt (Part has been discontinued)
1	961094	Headstrap 5-pt (Part has been discontinued)
2	450002	Standard Skirt 4-pt
3	839102	Screw For Lens Retainer (2 req.)
4	941280	Lens Retainer (2 req.)
5	941802	Replacement Lens Polycarbonate Anti-Scratch Coating (replaced part number 941712)
6	940135	Neck Strap
7	B520039	Cover (Part has been discontinued)
8	955805	Screw for Cover (2 req.)
9	420020	Snap-on-Cap
10	B140001	Inhalation Valve Pack of 6
11	B140002	Cartridge Connector
12	B420008	Grill (Part has been discontinued)
13	140079	Survivair Pre-Filter Retainer
14	941759	Speaking Diaphragm Assembly
15	820031	O-ring (speaking diaphragm)
16	980081	Nozzle
17	B140003	Exhalation Valve
18	82401410	O-ring (cover) Pack of 10
19	82401410	O-ring (cover) Pack of 10
20	420117	Nose Cup Kit
21	962080	Air Valve
22	962090	Air Valve Holder
	B140095	Clear Polyester Tear Off Covers (not shown)
	430000	Welding Lens Attachment for 4000 Series Shade 10 Lens (not shown)
	430005	Lower Protective bib for all Welding Shields (not shown)
	430010	Upper Protective Bib for all Welding Shields (not shown)
	980019	Speaking Diaphragm Removal Tool 4000 Series (not shown)



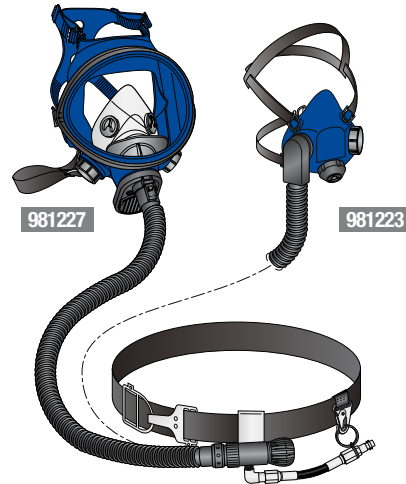
4000 SERIES PAPR

(COMPLETE UNIT NO LONGER AVAILABLE)

N°	Part	Description
1	420010	4000 Series Blue Silicon Full Face Mask
2	B520033	Blower Gasket
3	82401410	O-RING for breathing tube & mask mounted blower
4	520030	Replaceable Power Cord
5	520020	Blower Assembly
6	520073-AUST	Battery Charger for Survivair PAPR
7	981177	Filter Shower Cap with holes
8	981178	Filter Shower Cap without holes
9	520050	Waist Belt
10	108000	P3 filter to suit Survivair PAPR (mask mounted)
11	A520060	Battery Pack
12	985020	Threaded Cap (2 req)

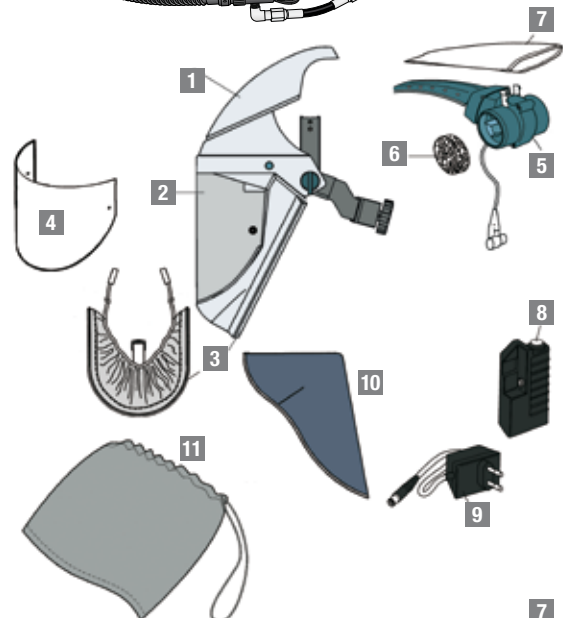
FULL FACE AND HALF FACE SAR

Part	Description
981227	Refer 4000 Series mask for spares
981323	Refer Blue 1 mask for spares
U981501	Refer Opti-Fit Convertible mask for spares



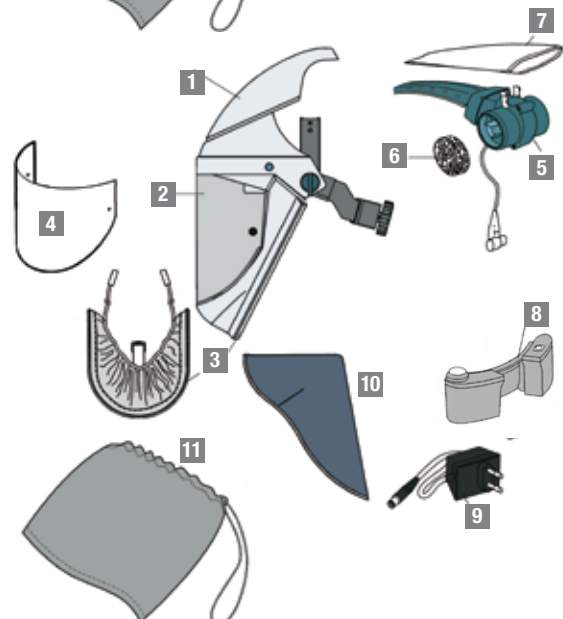
TURBOVISOR MV 1008030 8 HOUR

N°	Part	Description
1	DTVS-1517	Browguard & Frame
2	1001774	Polycarbonate Visor Pack of 5
2	1001775	Clear Acetate Visor Pack of 5
3	1001784	Fabric cassette Pack of 5
3	1001783	Flame Retardant Fabric Cassette
4	1001778	Visor Cover pack of 10
4	1001779	Visor Cover pack of 50
5	1001777	Blower 8-Hour suits DTMV-0301 Turbovisor
6	1001797	Turbovisor Pre-Filter pack of 10
7	1001793	Turbovisor P2 Main Filter pack of 2
7	1001794	Turbovisor A2 Odour Main Filter
8	1001792	8-Hour Batter Pack Suits DTMV 0301 Turbovisor
9	1012290	Replacement 4-8 hour battery charger
10	1001790	Neck Cover
11	1001738	Tyvek Storage Bag

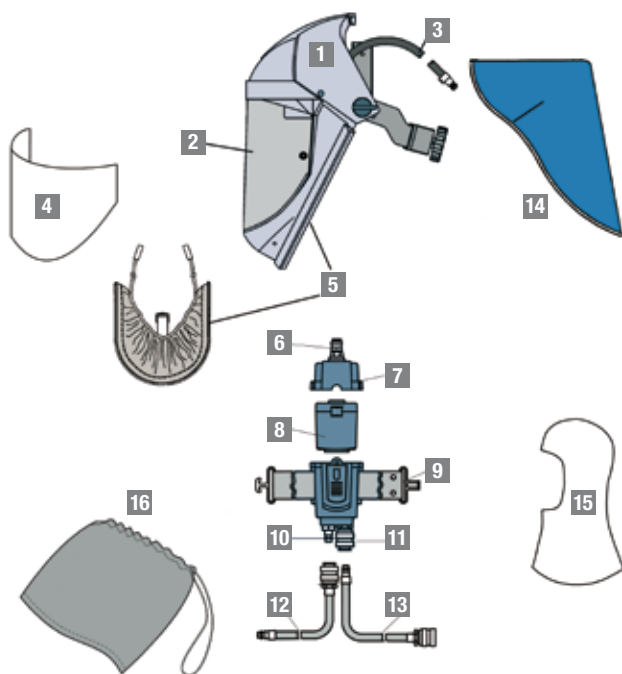


TURBOVISOR MV 1010032 6 HOUR

N°	Part	Description
1	DTVS-1517	Browguard & Frame
2	1001774	Polycarbonate Visor Pack of 5
2	1001775	Clear Acetate Visor Pack of 5
3	1001784	Fabric cassette Pack of 5
3	1001783	Flame Retardant Fabric Cassette
4	1001778	Visor Cover pack of 10
4	1001779	Visor Cover pack of 50
5	1001776	Blower 6-Hour Suits DTMV-0302
6	1001797	Turbovisor Pre-Filter Pack of 10
7	1001793	Turbovisor P2 Main Filter Pack of 2
7	1001794	Turbovisor A2 Odour Main Filter
8	1001782	6-Hour Batter Pack Suits DTMV-0302 Turbovisor
9	1012290	Replacement 4-8 hour battery charger
10	1001790	Neck Cover
11	1001738	Tyvek Storage Bag

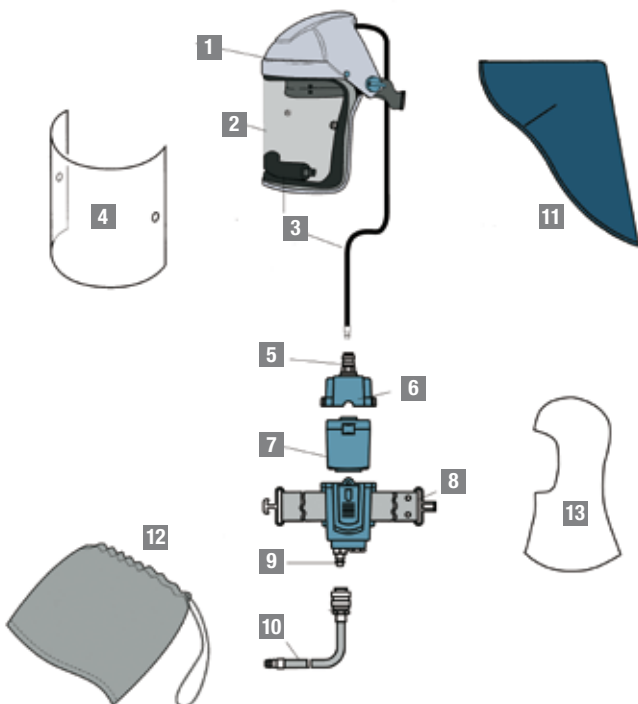


Spare Parts



AIRVISOR MV 1007972, 1007985, 1007973

N°	Part	Description
1	1008024	Airvisor Browguard Frame
2	1001775	Clear Acetate Visor Pack of 5 (Suits DMAK-0201 & DMAK-0202)
2	1001774	Replacement Polycarbonate Visor Pack of 5 (Suits DMAK-0203)
3	1001675	Spare Air tube and Diffuser
4	1001778	Visor Covers pack of 10
4	1001779	Visor Covers pack of 50
5	1001784	Fabric Cassette Pack of 5
6	1001725	Airvisor Min QR Socket
7	1001673	Replacement Regulator Assembly (top housing of regulator)
8	1001672	Spare Carbon Cartridge for Waist belt regulator
9	1001674	Replacement Waist belt & bottom housing of Regulator
10	1001719	Airvisor QR Plug
11	1008025	Airvisor Standard QR Socket Double Action
11	1001718	Blanking Plug for waistbelt regulator (replaces DAF-6350 if no air tool is running off regulator)
12	DHFE-0075	Willson BlueLine Hose 7.5m
12	DHFE-015	Willson BlueLine Hose 15m
13	1001683	Air Powered Tool Hose
14	1001676	Neck Cover Pack of 5
15	1001733	Tyvek Hood Pack of 5
16	1001738	Tyvek Storage Bag



AIRVISOR - 1011060

N°	Part	Description
1	1001669	Airvisor Browguard
2	1001670	Polycarbonate Visor with foam seal
2	1001671	Acetate Visor with foam seal
3	1001675	Air tube and Diffuser
4	1001732	Visor Cover Pack of 10
4	1001731	Visor Cover Pack of 50
5	1001725	Airvisor Min QR Socket
6	1001673	Replacement Regulator Assembly (top housing of regulator)
7	1001672	Spare Carbon Cartridge for Waist belt regulator
8	1001674	Replacement Waist belt & bottom housing of Regulator
9	1001719	Airvisor QR Plug
10	DHFE-0075	Willson BlueLine Hose 7.5m
10	DHFE-015	Willson BlueLine Hose 15m
11	1001676	Neck Cover Pack of 5
12	1001738	Tyvek Storage Bag
13	1001733	Tyvek Hood Pack of 5

HONEYWELL CLEARFLOW 3 FILTER SYSTEMS PORTABLE STAND 1763904 AND WALL MOUNT 1763903

Part	Description
1763908	Coalescing Filter Element
1763907	Carbon Filter Element



SPERIAN CLEARFLOW II FILTER SYSTEM PORTABLE STAND 1016967 AND WALL MOUNTED 1016962

(Complete unit no longer available)

Part	Description
DCFS-2163	Replacement Coalescing Filter Element
DCFS-2165	Replacement Carbon Element

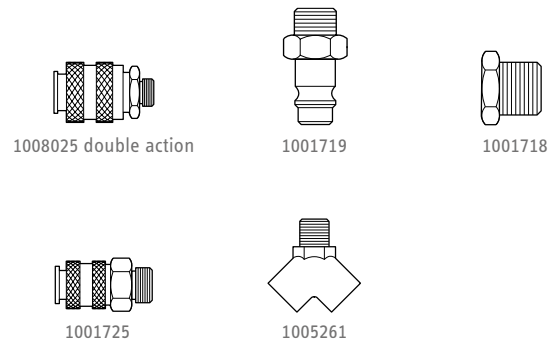


SPRAY PAINTERS KIT

Refer Spare Parts Listing for 1007972 Airvisor

AIRVISOR MV COUPLINGS AND FITTINGS

Part	Description
1008025	High Flow Self Seal Standard Quick Release Socket. Double Action, with 1/4" BSP Male Thread
1001719	High Flow Standard Quick Release Plug with 1/4" BSP Male Thread
1001718	Blanking Plug with 1/4" BSP Male Thread (For Waistbelt Regulator)
1001725	High Flow Self Seal Miniature Quick Release Socket with 1/4" BSP Male Thread
1005261	Y-piece Connector with 1/4" BSP Male Thread and two 1/4" Female outlets



BLUE AIR LINE HOSES FOR ALL AIRVISORS

Part	Description
DHFE-0035	BlueLine Airhose 3.5m
1011061	BlueLine Airhose 7.5m
1011062	BlueLine Airhose 15m
1008028	BlueLine Airhose 30m



YELLOW AIR LINE HOSES FOR OPTIFIT CONVERTIBLE SUPPLIED AIR MODEL. APPROVED TO AS/NZS 1716

Part	Description
5MTRE342	5M hose w/CEJN Couplings
15MTRE342	15M hose w/CEJN Couplings
20MTRE342	20M hose w/CEJN Couplings
30MTRE342	30M hose w/CEJN Couplings





SCBA – Self Contained Breathing Apparatus

Honeywell design and manufacture a range of SCBA (Self Contained Breathing Apparatus). With more than a century of safety expertise and innovation, Honeywell are now one of the breathing apparatus market leaders.

SCBA – Self Contained Breathing Apparatus

- ▶ Fenzy XPro
- ▶ Fenzy Aeris
- ▶ Fenzy Bio-Scape
- ▶ PosiChek 3 USB Testbench



Page 45

Honeywell manufacture and design the Fenzy Breathing Apparatus range to protect you from hazardous gases and dangerous atmospheres. From the top of the line Xpro SCBA for fire

fighting applications, to the industrial Aeris SCBA or the Bio-Scape for emergency situations, Honeywell have the right BA to suit your needs.

Features of the Fenzy Xpro SCBA

Working in close collaboration with fire brigades and industry professionals for many years has allowed us to manufacture reliable, high performance breathing apparatus using the latest advancements in technology.

New "Extreme Comfort" harness concept

Manufactured from anti-static polymeric resin, the Ultra-light X-Pro back plate was designed following research into body movement. It provides even weight distribution and optimum comfort for a wide variety of body shapes.

- ▶ Two position height adjustment device that adapts to all body sizes



- ▶ Back plate swivel follows the movements of the top half of the wearers back



- ▶ Articulated waist belt follows the wearer's hip movements for increased comfort

- ▶ Movable foot prevents damage from knocks to the cylinder valve and pressure reducer



Opti-Pro full face mask

Unrivalled comfort and full panoramic vision for a view with optimum optical clarity.

- ▶ High quality silicone face piece and internal half-mask for optimal comfort and a perfect fit.

New SX-Pro first breath demand valve

High level breathing comfort and a fast reply time, even with high flow ventilation (positive pressure up to 500 L/minute).

- ▶ Compact, ergonomic and does not disturb the field of vision
- ▶ Equipped with 2 oversized fixation points for simple connection or removal, even with gloves

Quick-Fix system

- ▶ Quickly transform a single cylinder SCBA into a twin-cylinder SCBA



The unique X-Pro SCBA by Honeywell is designed for use under the toughest conditions. Developed by professionals for professionals, the X-Pro is an SCBA tailored specifically to the requirements of firemen.

X-Pro materials are resistant to hostile environments such as extreme temperatures or chemical product ejections, providing unrivalled SCBA endurance and lifespan.

Honeywell

Self-contained breathing apparatus (SCBA)

SCBA provides the highest level of protection and is commonly used in IDLH environments, firefighting and industrial applications when concentration levels of a contaminant are unknown.



Fenzy Xpro SCBA

Designed specifically to the requirements of firemen for use under the toughest conditions

- ▶ Resistant to hostile environments including extreme temperatures and chemical product ejections, providing unrivalled SCBA endurance and lifespan
- ▶ Developed for professional use
- ▶ Ultra-light back plate provides optimum comfort
- ▶ Opti-Pro mask provides unrivalled comfort and full panoramic vision
- ▶ SX-Pro first breath demand valve provides a high level of comfort
- ▶ Quick fix system quickly changes from single to twin cylinder set up
- ▶ Moveable foot prevents damage to the valve and pressure reducer

1823382 X-PRO SCBA WITH OPTIPRO MASK MEDIUM SIZE

1823365 X-PRO SCBA WITH OPTIPRO MASK AND ANGEL II

1715029 REPLACEMENT OPTIPRO FULL FACE MASK MEDIUM SIZE

107573 9 LITRE 200 BAR ALUMINIUM HOOP WRAP CYLINDER

118245 6.9 LITRE 300 BAR CARBON FIBRE WRAP CYLINDER



Fenzy Aeris SCBA

The Aeris is a simple, user-friendly apparatus allowing the wearer to breathe safely and comfortably. Designed for use in all industrial environments, Aeris keeps you safe in toxic or oxygen-deficient (under 19.5%) atmospheres

- ▶ Zenith automatic positive pressure demand valve. Fully automatic positive pressure at the time of connection of the demand valve to the mask.
- ▶ No first breath required to operate the demand valve. Automatic shut off of air supply at disconnection.
- ▶ Full face silicone Panomask with polycarbonate lens with anti-scratch and anti-chlorine coatings. Equipped with a high performance speech diaphragm.
- ▶ Flame resistant reflective shoulder straps and fast-adjusting belt buckle.
- ▶ Quick adjustable camlock device secures any type of cylinder.
- ▶ High pressure gauge and whistle with low air warning whistle alert triggered at 55 bar +/- 5 bar.

1823364 AERIS SCBA WITH PANO MASK

1824587 AERIS SCBA WITH OPTIPRO MASK

1710650 REPLACEMENT PANOMASK

1715029 REPLACEMENT OPTIPRO MASK



Fenzy Bio-Scape

For emergency escape in the event of an accident resulting in a toxic or oxygen deficient (less than 19.5%) atmosphere

- ▶ Pressure reducer valve with automatic activated air flow
- ▶ Hood with automatic half mask adjustment
- ▶ Warning whistle and option of a 10 or 15 minute cylinder, activates when the pressure reducer valve is triggered, which occurs automatically when the carry bag is opened
- ▶ The air contained in the cylinder is immediately released and a constant flow inflates the hood
- ▶ Triple layer, hi-vis, waterproof, and flame retardant hood
- ▶ Synthetic rubber inner half-mask is fully adaptable to all faces
- ▶ Inflatable air cushion in the neck performs automatic donning
- ▶ Hi-vis carry bag with Velcro® opening, adjustable neck strap and Integrity seal

1815741 200 BAR, 2L 10 MIN FOR AUST & NZ (CYLINDER INCLUDES LAB APPROVALS)

1815740 200 BAR, 3L 15 MIN FOR AUST & NZ (CYLINDER INCLUDES LAB APPROVALS)

PosiChek3

A computerised test bench for the evaluation of the performance of completely assembled self contained breathing apparatus (SCBA). Also for use with other types of supplied air respiratory protective equipment.



Honeywell's PosiChek3 computerised SCBA test bench is a calibrated breathing machine used to test SCBA and has been the industry standard for thousands of fire departments, refineries, chemical plants and nuclear power stations worldwide since it was first introduced in 1988.

PosiChek3 can fully evaluate the operational readiness of an SCBA in less than 2 minutes and consumes less than 1% of its air supply.

All PosiChek3 units are equipped with an Enhanced Precision High Pressure Transducer that provides more precise measurement of pressure within the high pressure manifold.

In addition, the SDS version includes a new Sound Detection System which automates the primary audible alarm test, eliminating human error. As always, Posi Chek3 USB offers a full range of test and data storage options, making record keeping a breeze.

► It is designed to help keep your SCBA equipment operating at its best, protecting you. The tests are realised to check if the equipment is compliant with AS/NZS 1716 requirements for SCBA.

► The USB version incorporates a number of hardware and software improvements suggested by our customers to keep pace with the increasing number of requests for testing equipment from end-users.

► First responders and users in industrial applications can only work as well as the equipment they use. Therefore, SCBA should be tested at least once per year on a calibrated breathing machine before being put into service.

EASY AND AUTOMATIC TESTING

► The Posi 3 USB has taken automation a step further, making it even easier to use than before. The Posi 3 USB communicates to a PC using the Universal Serial Bus (USB) protocol. There are also improved database search capabilities and more detailed test reporting (etc).

► For those who have a cascade air supply, the Auto Advance Feature makes testing even quicker. As always, the Posi 3 USB offers a full range of test and data storage options, making record keeping automatic and simple.

SIMPLICITY AND TRACEABILITY

► Posi 3 USB uses your own Windows-compatible PC or laptop to run tests and store results for printing or retrieval in a user-specified database.

MINIMUM PC SYSTEM REQUIREMENTS FOR THE POSICHEK3 USB SOFTWARE:

- Windows XP or Vista 32
- Pentium Processor 1.0 GHz or better with 512MB RAM
- 50 Mb min. available space on hard drive
- USB 2.0 Port
- CD-ROM Drive

TESTS CARRIED OUT

- Facepiece leak
- Exhalation valve opening pressure
- Static facepiece pressure
- Bypass flow rate
- Pressure gauge accuracy
- Low pressure alarm activation
- First stage regulator performance
- Reducer safety valve test
- Lung demand valve performance test
- Breathing resistance at standard (40 LPM) work rate
- Breathing resistance at maximum (100 LPM) work rate

54-56-1320D POSI 3 USB WITH EP (ENHANCED PRECISION)

54-56-2320D POSI 3 USB WITH EP & SDS (SOUND DETECTION SYSTEM)

1812899 300 BAR EXTERNAL MANIFOLD/HOSE

1812897 200 BAR EXTERNAL MANIFOLD/HOSE

**Honeywell Safety Products
Australia Pty Ltd**

43 Garden Boulevard
Dingley, Victoria 3172 Australia
Tel: 1300 139 166
Fax: 1300 362 491
New Zealand
Tel: 0800 322 200
Fax: 0800 322 266
www.honeywellsafety.com

Honeywell